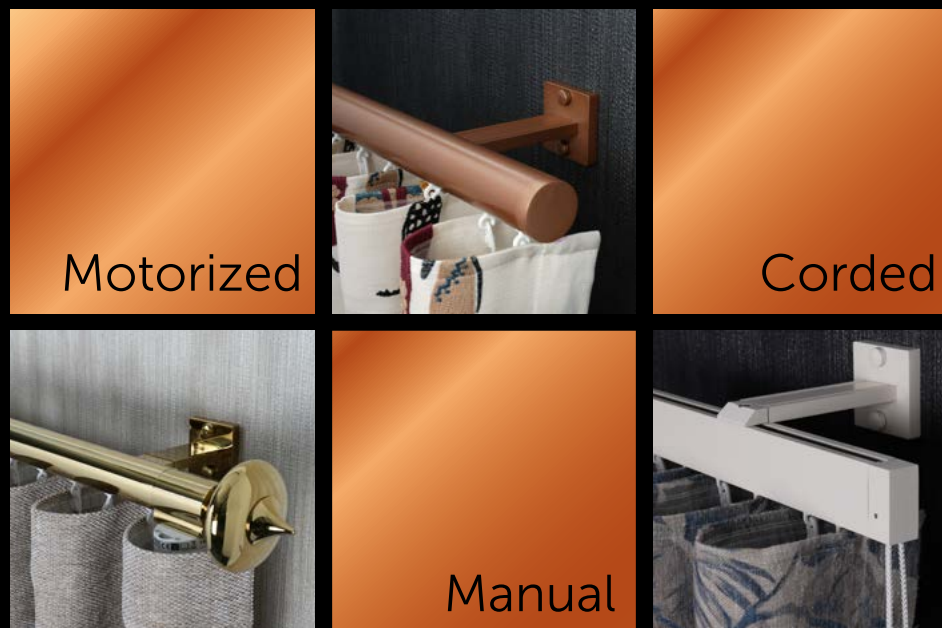


WINART<sup>®</sup>  
since 1976



Sapphire Collection

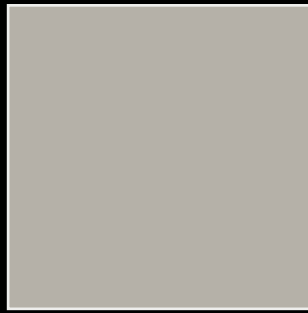
50 years



Colour 118



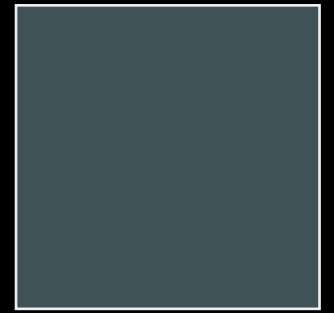
Colour 119



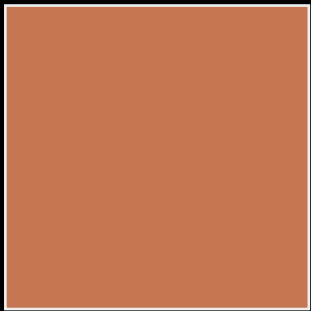
Colour 123



Colour 125



Colour 182



Colour 183



Colour 102



Colour 104



Colour 106



Colour 128



Colour 109



Colour 110



Colour 107



Colour 129



Colour 131



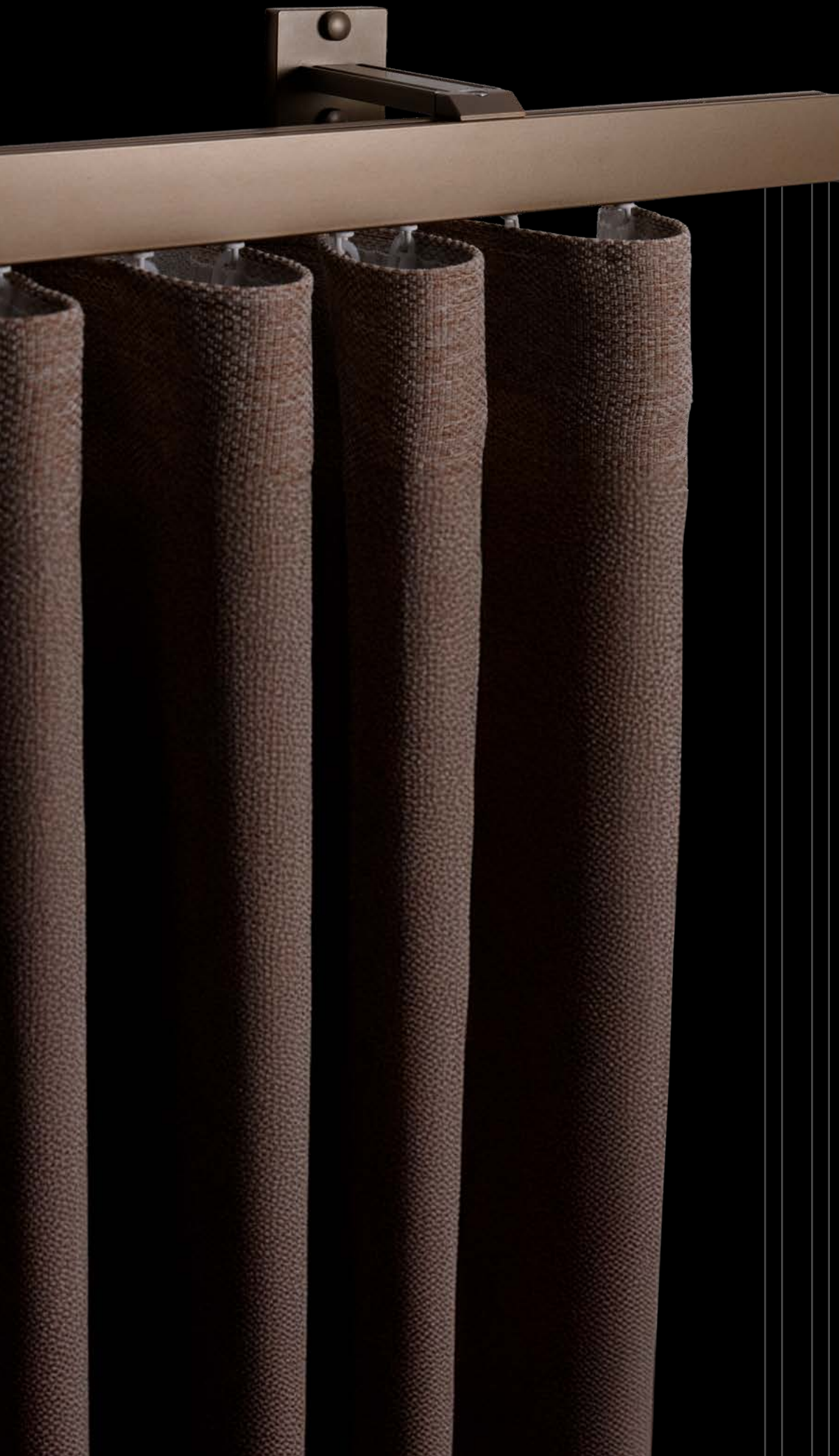
Colour 108



Colour 111



Colour 113



**WINART**<sup>®</sup>  
since 1976

*50 years*

For half a century, Winart has been a symbol of design, quality and reliability.

For 50 years, we have enriched living spaces with elegance, creating lasting value through refined details and thoughtful craftsmanship.

From our very first day, we have believed that true design lies in the details. Guided by this philosophy, we have combined innovative thinking with meticulous production standards to deliver products that stand the test of time. Each Winart piece is not merely an accessory, but a reflection of aesthetic balance, functionality and enduring quality.

Over the years, we have continuously evolved embracing new technologies, refining our processes, and responding to the changing needs of modern living. Yet, our commitment to excellence, authenticity and design integrity has always remained unchanged.

As we celebrate our 50th anniversary, we look to the future with confidence and inspiration. Drawing strength from our heritage, we continue to shape tomorrow with creativity, precision and elegance.

We extend our heartfelt thanks to our valued partners, dedicated team members, and everyone who has trusted Winart throughout this remarkable journey.

**Winart**

*50 Years of Excellence in Detail*



## Motorized Systems



SFA.10001  
9



SFA.10002  
17



SFA.10003  
25



SFA.10010  
39



SFA.10013  
47



SFA.10016  
63



SFA.10019  
71



30024  
78

## Corded Systems



SFA.10004  
11



SFA.10005  
19



SFA.10006  
27



SFA.10011  
41



SFA.10014  
49



SFA.10017  
65



SFA.10020  
73



30023  
79

## Manual Systems



SFA.10007  
13



SFA.10008  
21



SFA.10009  
29



SFA.10012  
43



SFA.10015  
51



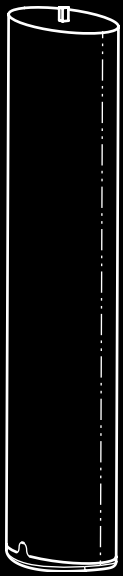
SFA.10018  
67



SFA.10021  
75



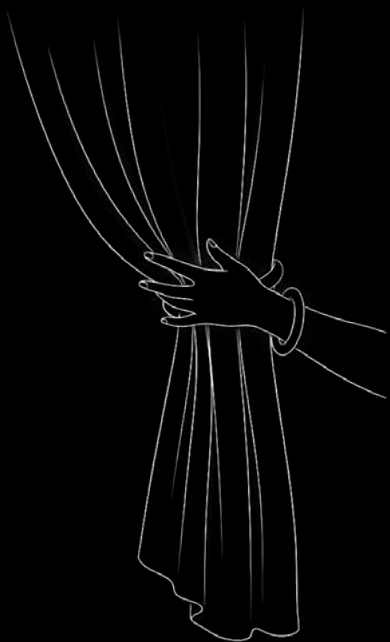
30016  
81



## Motorized Systems



## Corded Systems



## Manual Systems



# AURIS Series

AURIS Series is defined by clarity, balance, and smooth movement. Its refined cylindrical form and clean lines are designed to integrate naturally into contemporary interiors, allowing the curtain system to complement the architecture without drawing unnecessary attention.

Developed for both residential and contract projects, AURIS adapts effortlessly to different spaces through its consistent design language and flexible configuration. With a focus on calm aesthetics and functional precision, the series offers a timeless solution for interiors that value simplicity, comfort and long-lasting design.

*50 years*



## AURIS **SFA.10001**

---

Designed for modern interiors and large window applications, the motorized model provides smooth and quiet operation with effortless control. Ideal for living rooms, hotels and high-ceiling spaces. Available in 8 color options.



## AURIS **SFA.10004**

---

A practical and balanced solution for residential and commercial spaces. The corded model offers controlled movement while maintaining a clean, architectural appearance. Suitable for bedrooms, offices and hospitality projects. Available in 6 color options.



## AURIS **SFA.10007**

---

The manual model is ideal for smaller windows and private spaces where straightforward functionality is preferred. It is simple, reliable and timeless. Its minimal design blends easily into a wide range of interiors. Available in 6 color options.

# AURIS

## SFA.10001

Designed for modern interiors and large window applications, the motorized model provides smooth and quiet operation with effortless control. Ideal for living rooms, hotels and high-ceiling spaces. Available in 8 color options.



Remote Control



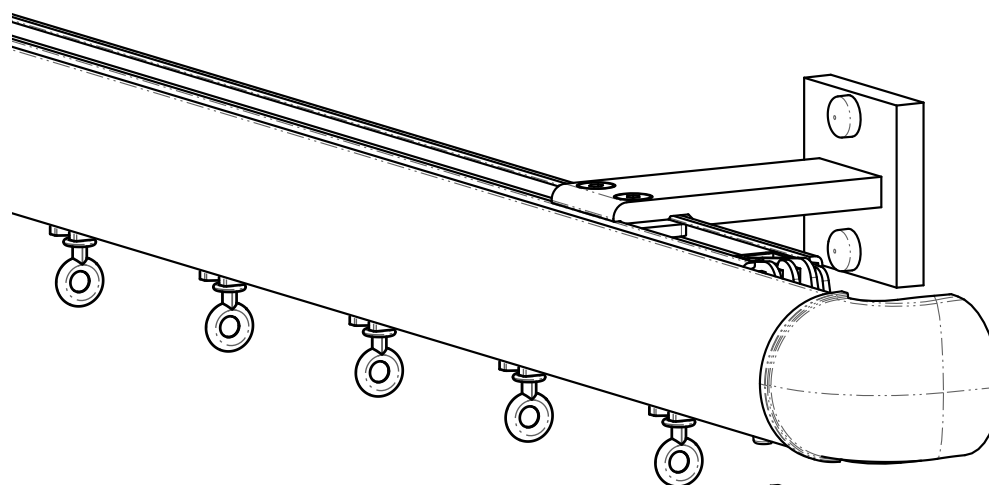
Silent Motor Technology



Modern and Elegant Design



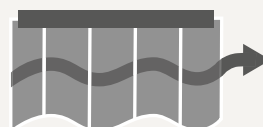
Energy Efficiency



### Available in Single or Double Opening Options

Choose between one-way or center-draw movement for the perfect fit and visual balance in your space.

One-Way Draw



Center Draw



**Discover**

**Winart SFA.10001 up close!**

Scan the QR code to watch the product video.



# Colours



102



104



118



119



123



125



182



183



# AURIS

## SFA.10004

A practical and balanced solution for residential and commercial spaces. The corded model offers controlled movement while maintaining a clean, architectural appearance. Suitable for bedrooms, offices and hospitality projects. Available in 6 color options.

Diameter: 35 Ø



Corded System



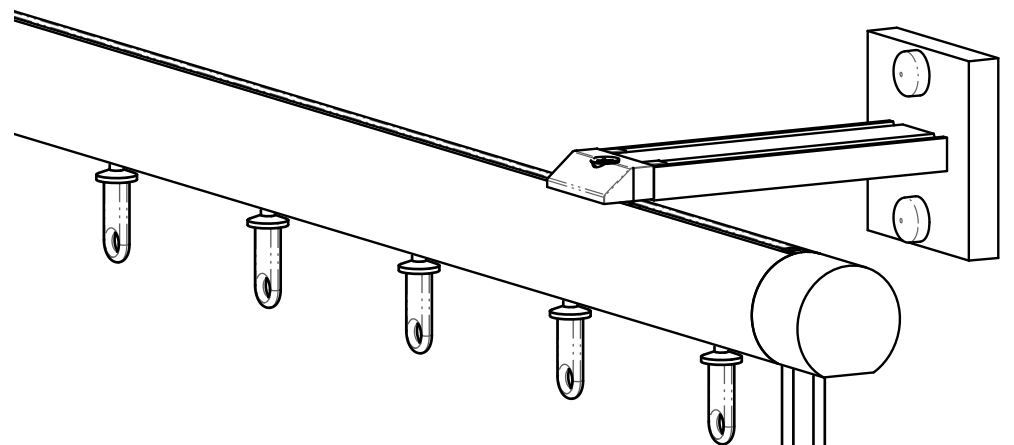
Smooth and Precise Manual Operation



Durable & Long-Lasting Mechanism



Energy-Free and Eco-Friendly Solution

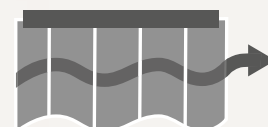


### Available in Single or Double Opening Options



Choose between one-way or center-draw movement for the perfect fit and visual balance in your space.

One-Way Draw



Center Draw



Discover

**Winart SFA.10004 up close!**

Scan the QR code to watch the product video.



## Colours



118



119



123



125



182



183



# AURIS

## SFA.10007

The manual model is ideal for smaller windows and private spaces where straightforward functionality is preferred. It is simple, reliable and timeless. Its minimal design blends easily into a wide range of interiors. Available in 6 color options.

Diameter: 35 Ø



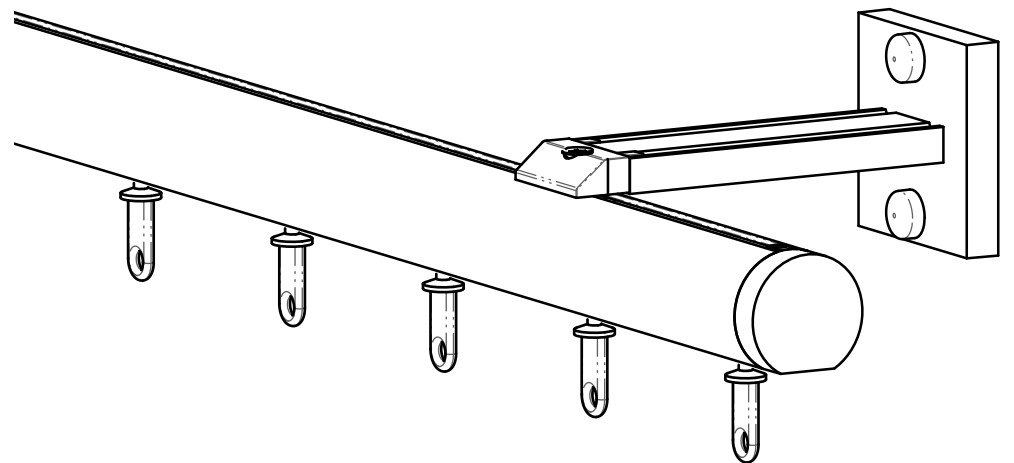
Smooth and Balanced Operation



Durable and Long-Lasting Structure



Modern and Elegant Design

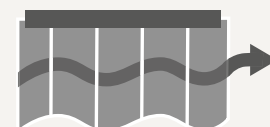


### Available in Single or Double Opening Options

i

Choose between one-way or center-draw movement for the perfect fit and visual balance in your space.

One-Way Draw



Center Draw



Discover

**Winart SFA.10007 up close!**

Scan the QR code to watch the product video.



## Colours



118



119



123



125

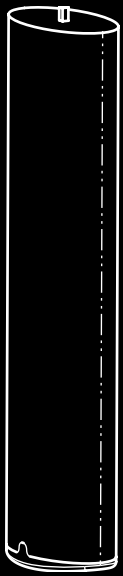


182



183

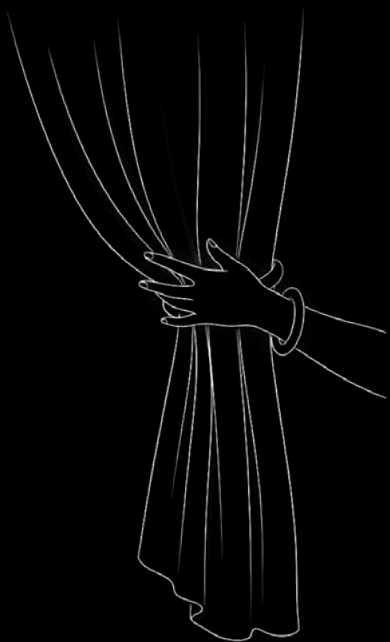




## Motorized Systems



## Corded Systems



## Manual Systems



# PRISMA Series

PRISMA Series is shaped by geometry and clarity. Its angular, faceted profile introduces a strong architectural expression, transforming the curtain system into a defined design element within the space.

Designed for contemporary residential and commercial interiors, PRISMA balances bold form with functional versatility. The consistent design language across all operating systems allows seamless integration into projects that value precision, structure and modern aesthetics.

*50 years*



## PRISMA SFA.10002

---

Ideal for large windows and statement interiors, offering smooth and quiet operation. Available in 8 color options.



## PRISMA SFA.10005

---

A controlled and reliable solution that maintains PRISMA's sharp geometric character. Available in 8 color options.



## PRISMA SFA.10008

---

Simple, durable, and visually strong, suitable for smaller windows and minimal interiors. Available in 8 color options.

# PRISMA

## SFA.10002

Ideal for large windows and statement interiors, offering smooth and quiet operation. Available in 8 color options.



Remote Control



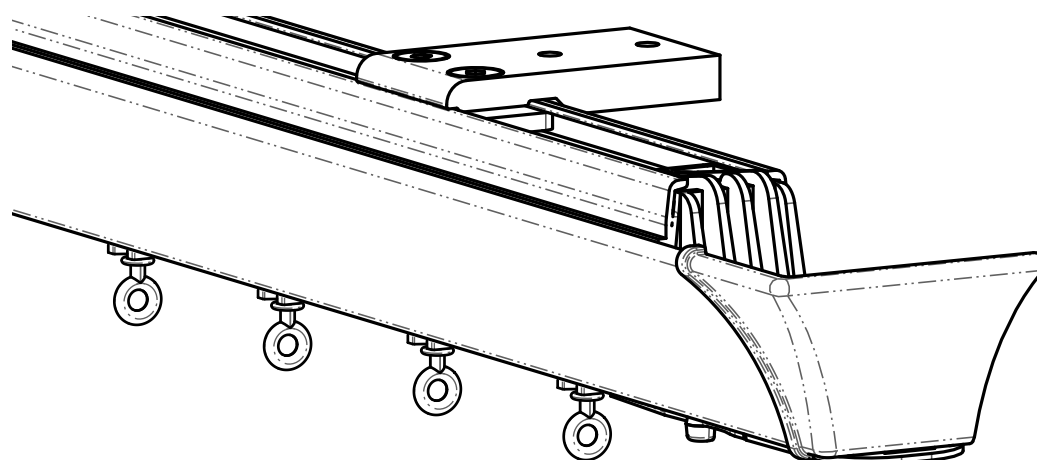
Silent Motor Technology



Modern and Elegant Design



Energy Efficiency

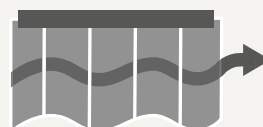


### Available in Single or Double Opening Options



Choose between one-way or center-draw movement for the perfect fit and visual balance in your space.

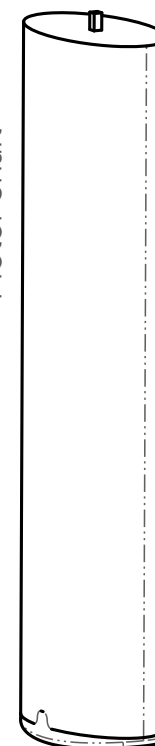
One-Way Draw



Center Draw



Motor Shaft



Discover

**Winart SFA.10002 up close!**

Scan the QR code to watch the product video.



# Colours



102



104



118



119



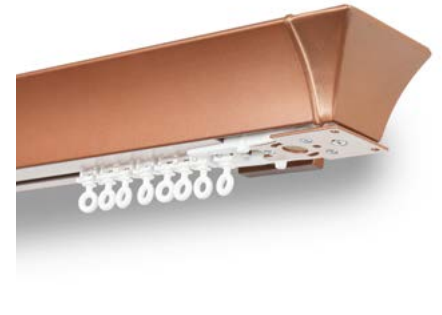
123



125



182



183

# PRISMA

## SFA.10005

A controlled and reliable solution that maintains PRISMA's sharp geometric character. Available in 8 color options.



Corded System



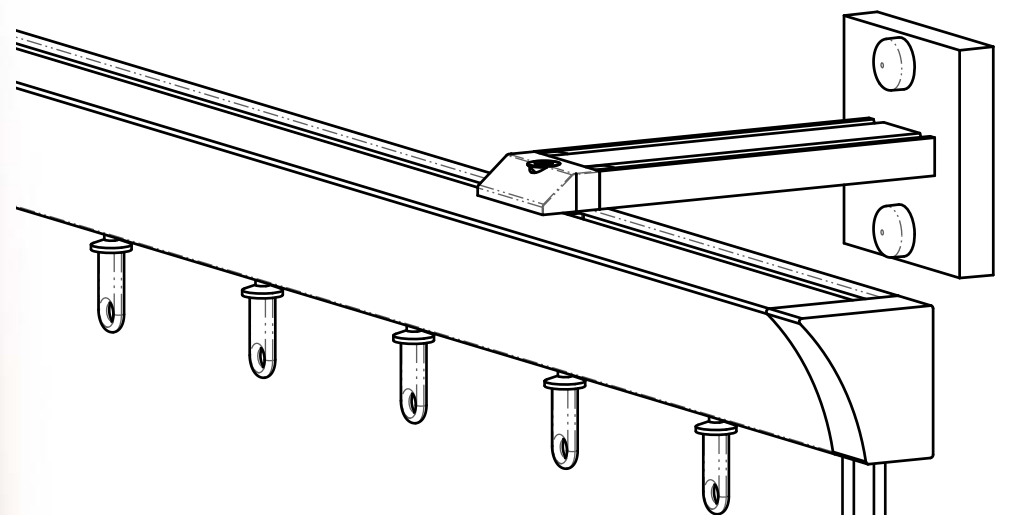
Smooth and Precise Manual Operation



Durable & Long-Lasting Mechanism



Energy-Free and Eco-Friendly Solution



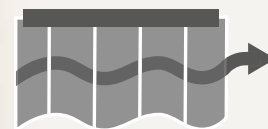
### Available in Single or Double Opening Options



Choose between one-way or center-draw movement for the perfect fit and visual balance in your space.

One-Way Draw

Center Draw



**Discover**

**Winart SFA.10005 up close!**

Scan the QR code to watch the product video.



# Colours



102



104



118



119



123



125



182



183



# PRISMA

## SFA.10008

Simple, durable, and visually strong, suitable for smaller windows and minimal interiors. Available in 8 color options.



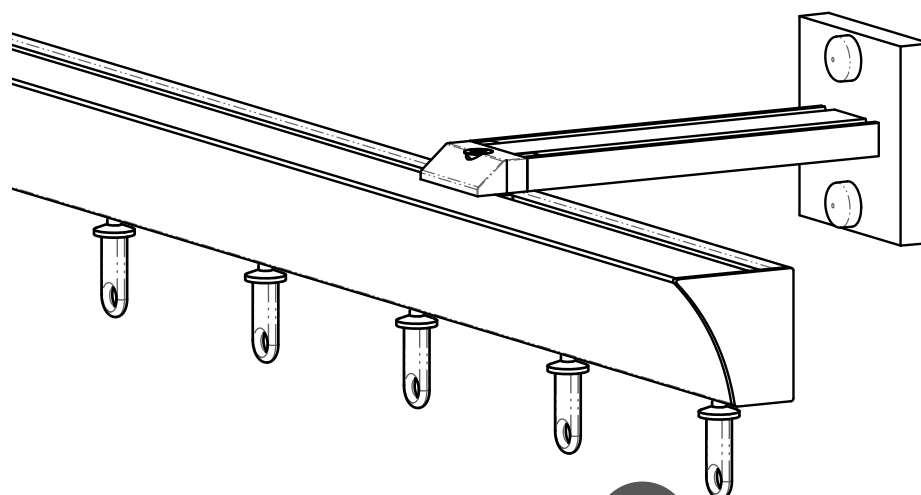
Smooth and Balanced Operation



Durable and Long-Lasting Structure



Modern and Elegant Design



### Available in Single or Double Opening Options

i

Choose between one-way or center-draw movement for the perfect fit and visual balance in your space.

One-Way Draw



Center Draw



**Discover**  
**Winart SFA.10008 up close!**  
Scan the QR code to watch the product video.



## Colours



102



104



118



119



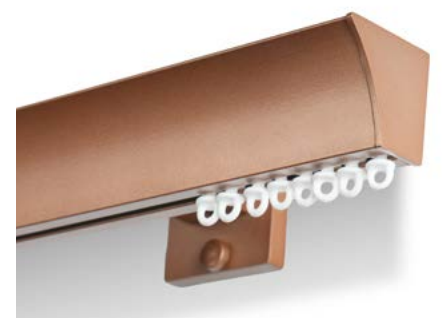
123



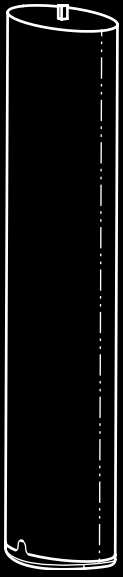
125



182



183



## Motorized Systems



## Corded Systems



## Manual Systems



# SHINY Series

SHINY Series is defined by its SHINY rectangular geometry and clear architectural structure. The solid, block-like form creates a sense of order and stability, allowing the curtain system to integrate seamlessly into the space while maintaining a confident presence.

Designed for contemporary residential and commercial interiors, SHINY offers a calm and disciplined design language. The series adapts effortlessly to different environments, providing a timeless solution for projects that value structure, functionality and refined simplicity.

*50 years*



## SHINY **SFA.10003**

---

Designed for wide openings and modern interiors, offering smooth and quiet operation. Available in 8 color options.



## SHINY **SFA.10006**

---

A controlled and reliable solution highlighting SHINY's structured geometry. Available in 8 color options.



## SHINY **SFA.10009**

---

Simple, durable, and balanced for smaller windows and minimal interiors. Available in 8 color options.

# SHINY SFA.10003

Designed for wide openings and modern interiors, offering smooth and quiet operation. Available in 8 color options.



Remote Control



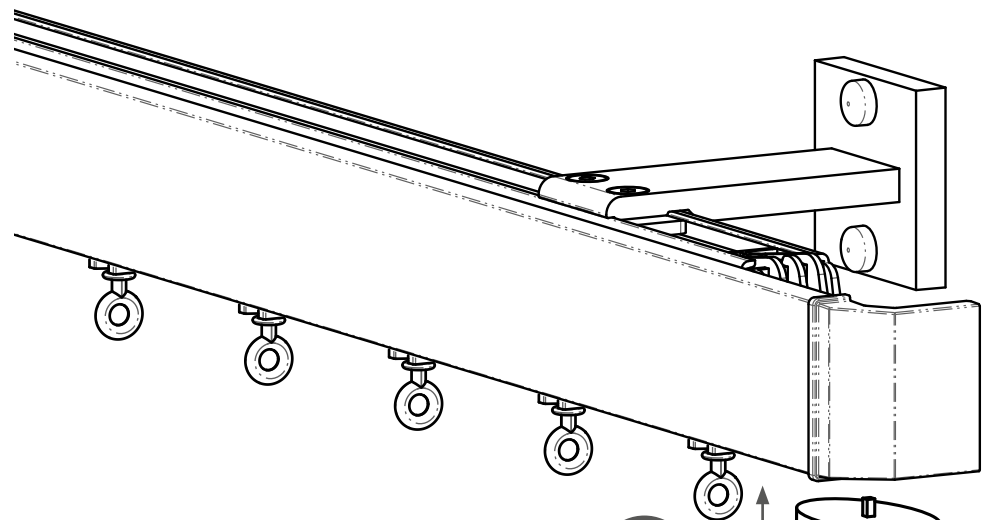
Silent Motor Technology



Modern and Elegant Design



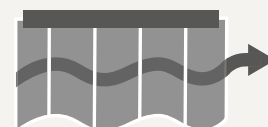
Energy Efficiency



## Available in Single or Double Opening Options

Choose between one-way or center-draw movement for the perfect fit and visual balance in your space.

One-Way Draw



Center Draw



i

Motor Shaft



Discover

**Winart SFA.10003 up close!**

Scan the QR code to watch the product video.



# Colours



102



104



118



119



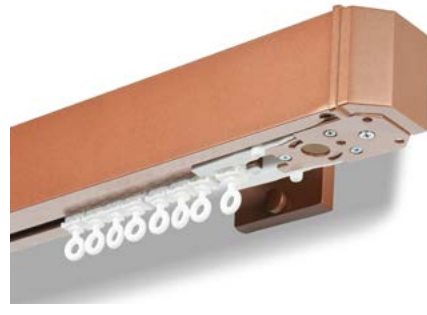
123



125



182



183

# SHINY

## SFA.10006



A controlled and reliable solution highlighting SHINY's structured geometry. Available in 8 color options.



Corded System



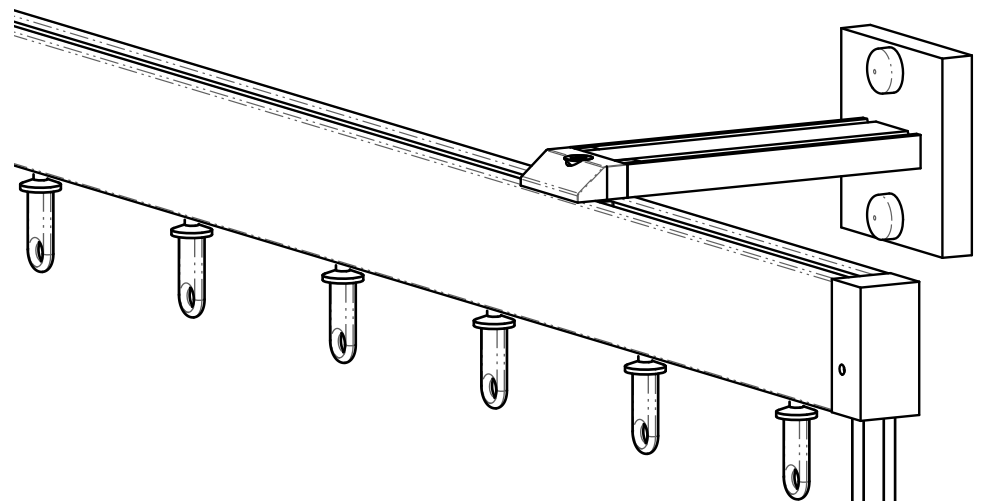
Smooth and Precise Manual Operation



Durable & Long-Lasting Mechanism



Energy-Free and Eco-Friendly Solution

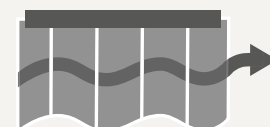


### Available in Single or Double Opening Options



Choose between one-way or center-draw movement for the perfect fit and visual balance in your space.

One-Way Draw



Center Draw



**Discover**

**Winart SFA.10006 up close!**

Scan the QR code to watch the product video.

# Colours



102



104



118



119



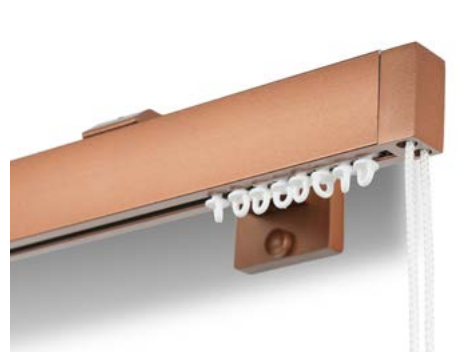
123



125



182



183

# SHINY

## SFA.10009

Simple, durable, and balanced for smaller windows and minimal interiors. Available in 8 color options.



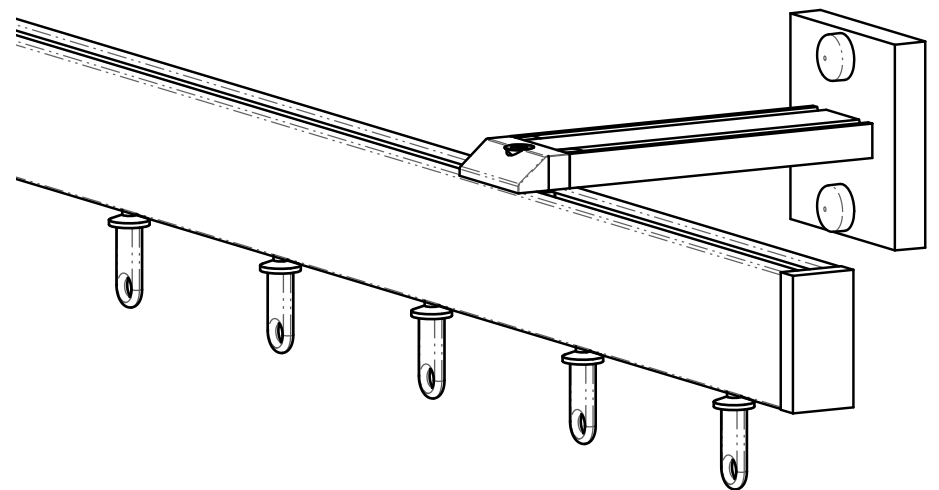
Smooth and Balanced Operation



Durable and Long-Lasting Structure



Modern and Elegant Design

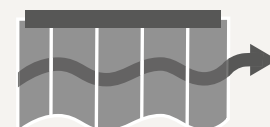


### Available in Single or Double Opening Options



Choose between one-way or center-draw movement for the perfect fit and visual balance in your space.

One-Way Draw



Center Draw



**Discover**

**Winart SFA.10009 up close!**

Scan the QR code to watch the product video.



## Colours



102



104



118



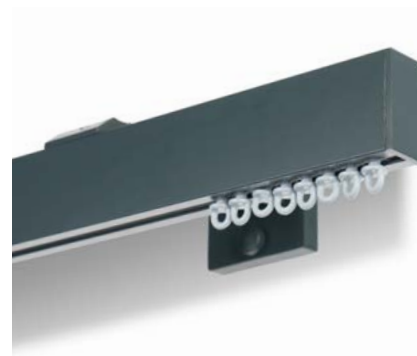
119



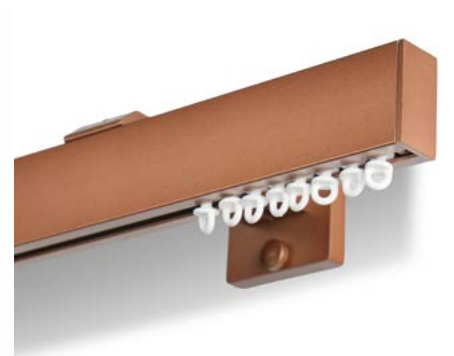
123



125



182

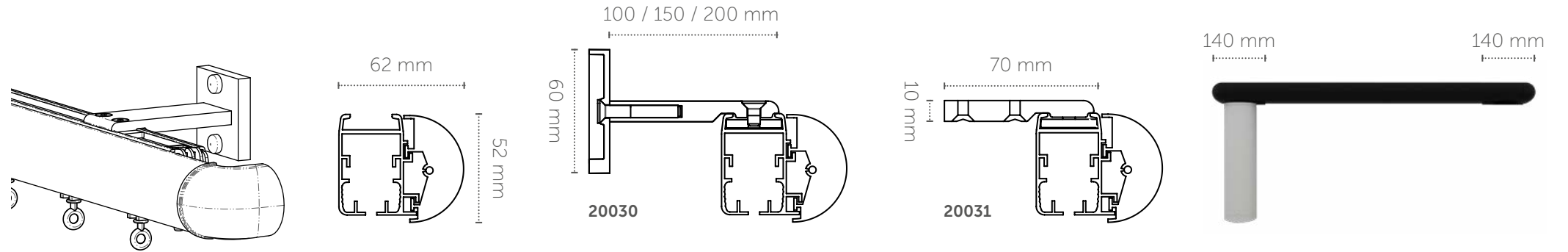


183

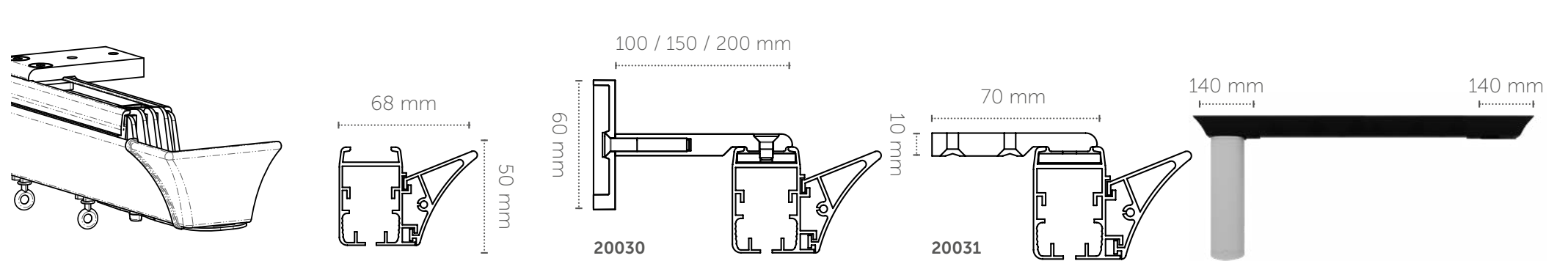
# Technical Details

Model                      Profile                      Wall Brackets                      Ceiling Brackets                      Dimensions

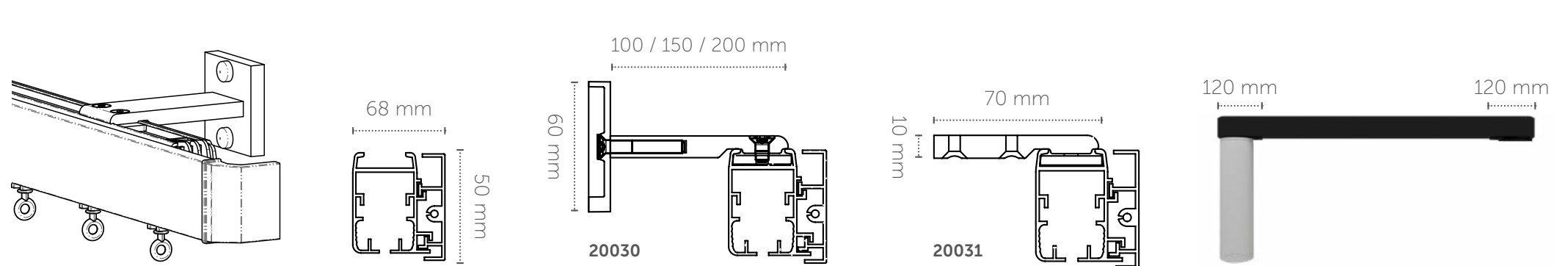
## SFA. 10001



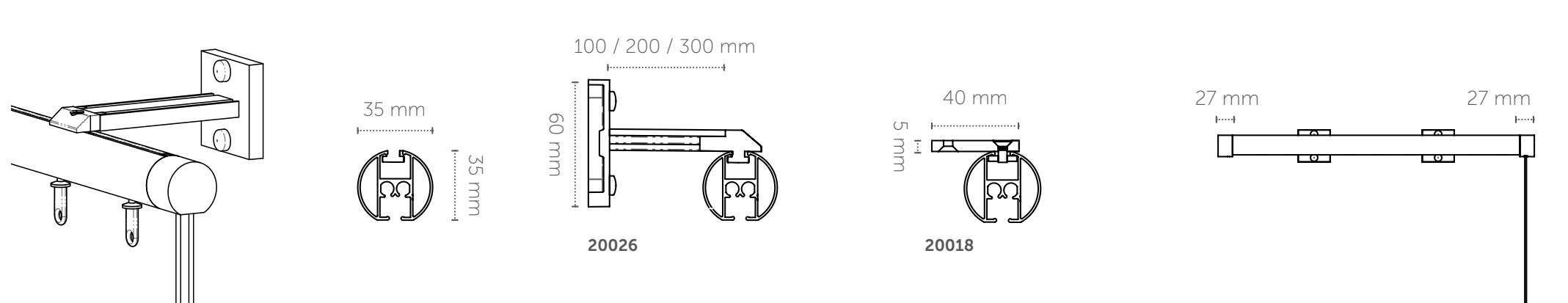
## SFA. 10002



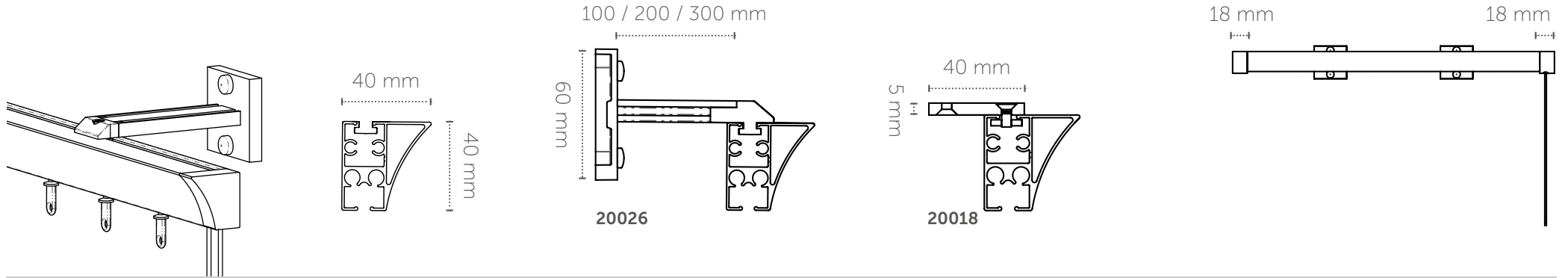
## SFA. 10003



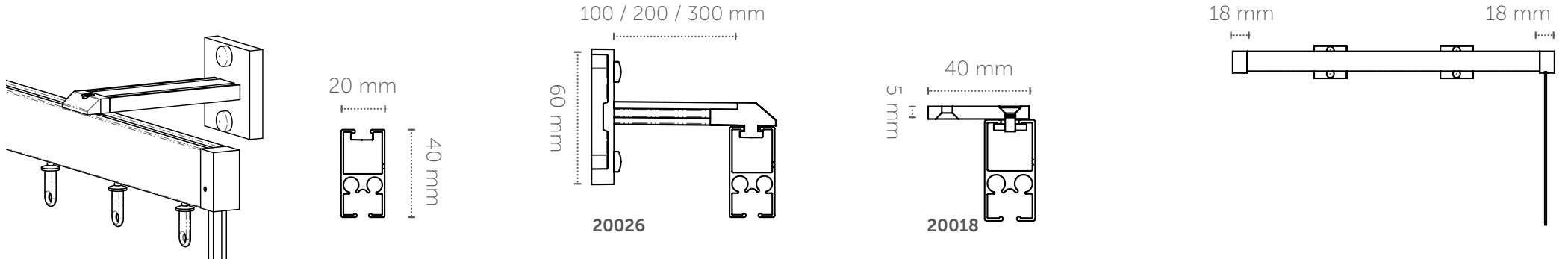
## SFA. 10004



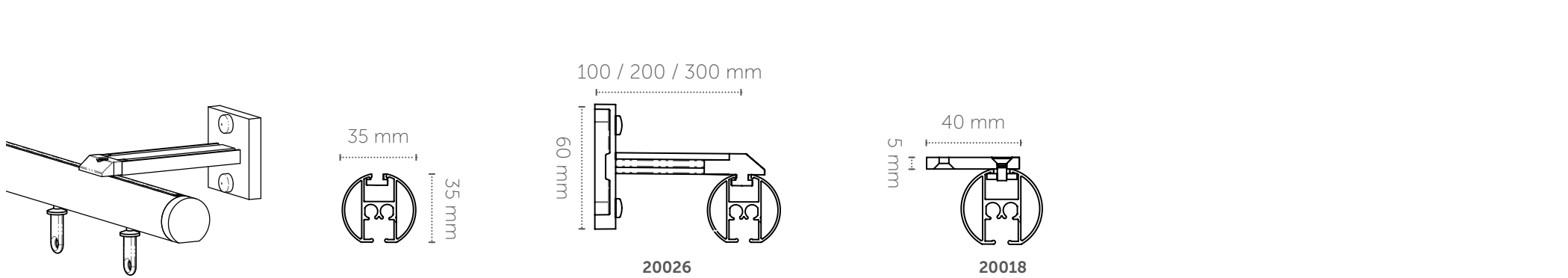
SFA. 10005



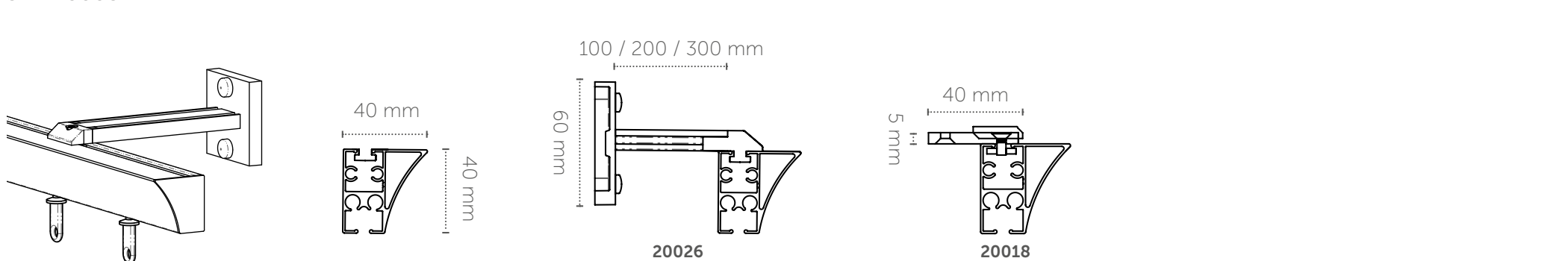
SFA. 10006



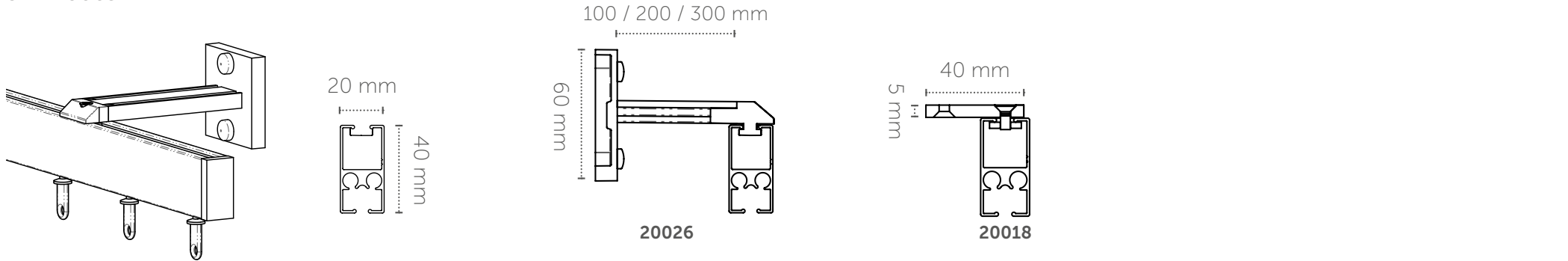
SFA. 10007

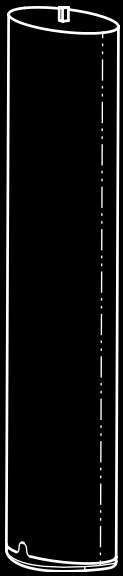


SFA. 10008



SFA. 10009

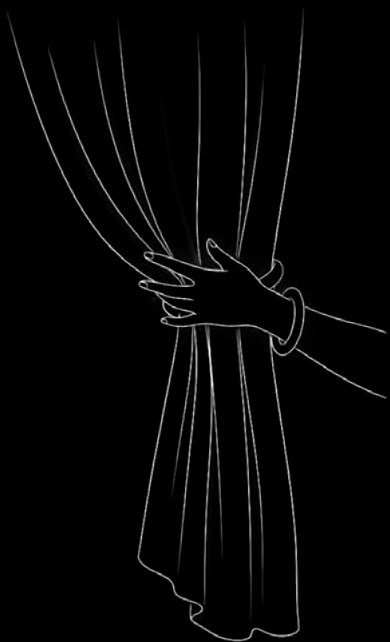




## Motorized Systems



## Corded Systems



## Manual Systems



# AURELIA

## Glider Series

AURELIA Glide features a circular curtain rod design paired with a discreet glide system. The concealed hanging mechanism creates a smooth, uninterrupted visual flow, allowing the curtain to move effortlessly while maintaining a clean and minimal appearance.

Designed for interiors that favor simplicity and visual continuity, AURELIA Glide blends seamlessly into both residential and commercial spaces. Its refined profile emphasizes calm aesthetics and functional elegance.

*50 years*



## AURELIA

### SFA.10010

Smooth and silent operation combined with a concealed glide system. Ideal for large openings and modern interiors. Available in 8 color options.



## AURELIA

### SFA.10011

Controlled movement with a clean, uninterrupted curtain line. Suitable for residential and hospitality spaces. Available in 8 color options.



## AURELIA

### SFA.10012

Simple, reliable, and visually minimal. Ideal for smaller windows and understated spaces. Available in 8 color options.



# Finals

## 10114



102



104



118



119



123



125



182



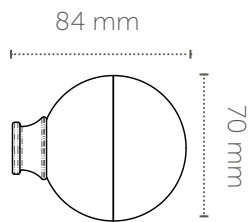
183



50114



90114



## 10115



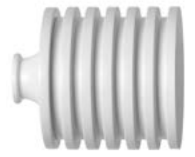
102



104



118



119



123



125



182



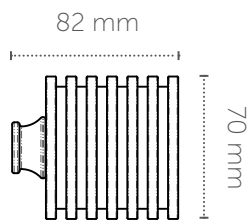
183



50115



90115



# Finals

## 10116



102



104



118



119



123



125



182



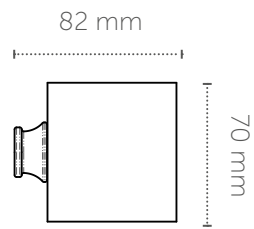
183



50116



90116



## 10117



102



104



118



119



123



125



182



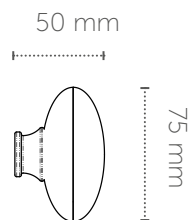
183



50117



90117



# Finals

## 10118



102

104

118

119



123

125

182

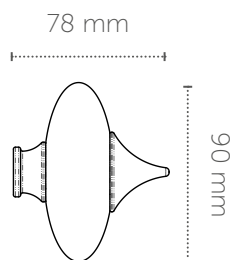
183



50118



90118



## 10119



102

104

118

119



123

125

182

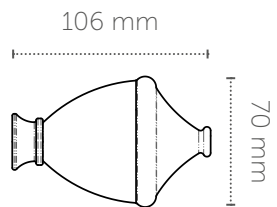
183



50119



90119



# AURELIA

## SFA.10010



Smooth and silent operation combined with a concealed glide system. Ideal for large openings and modern interiors. Available in 8 color options.

Diameter: 40 Ø



Remote Control



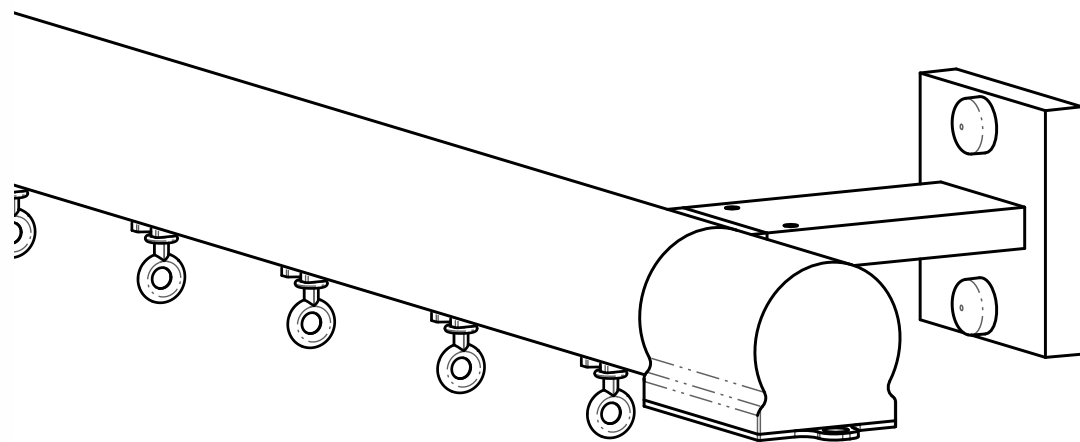
Silent Motor Technology



Modern and Elegant Design



Energy Efficiency

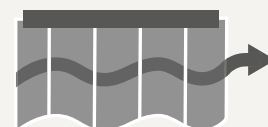


### Available in Single or Double Opening Options



Choose between one-way or center-draw movement for the perfect fit and visual balance in your space.

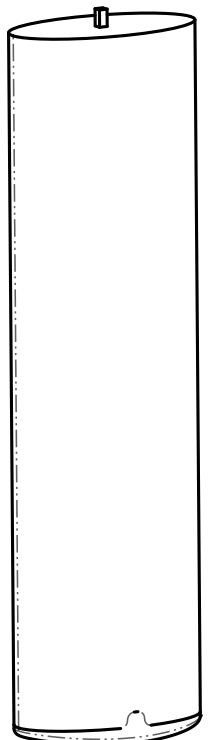
One-Way Draw



Center Draw



Motor Shaft



Discover

**Winart SFA.10010 up close!**

Scan the QR code to watch the product video.

# Colours



102



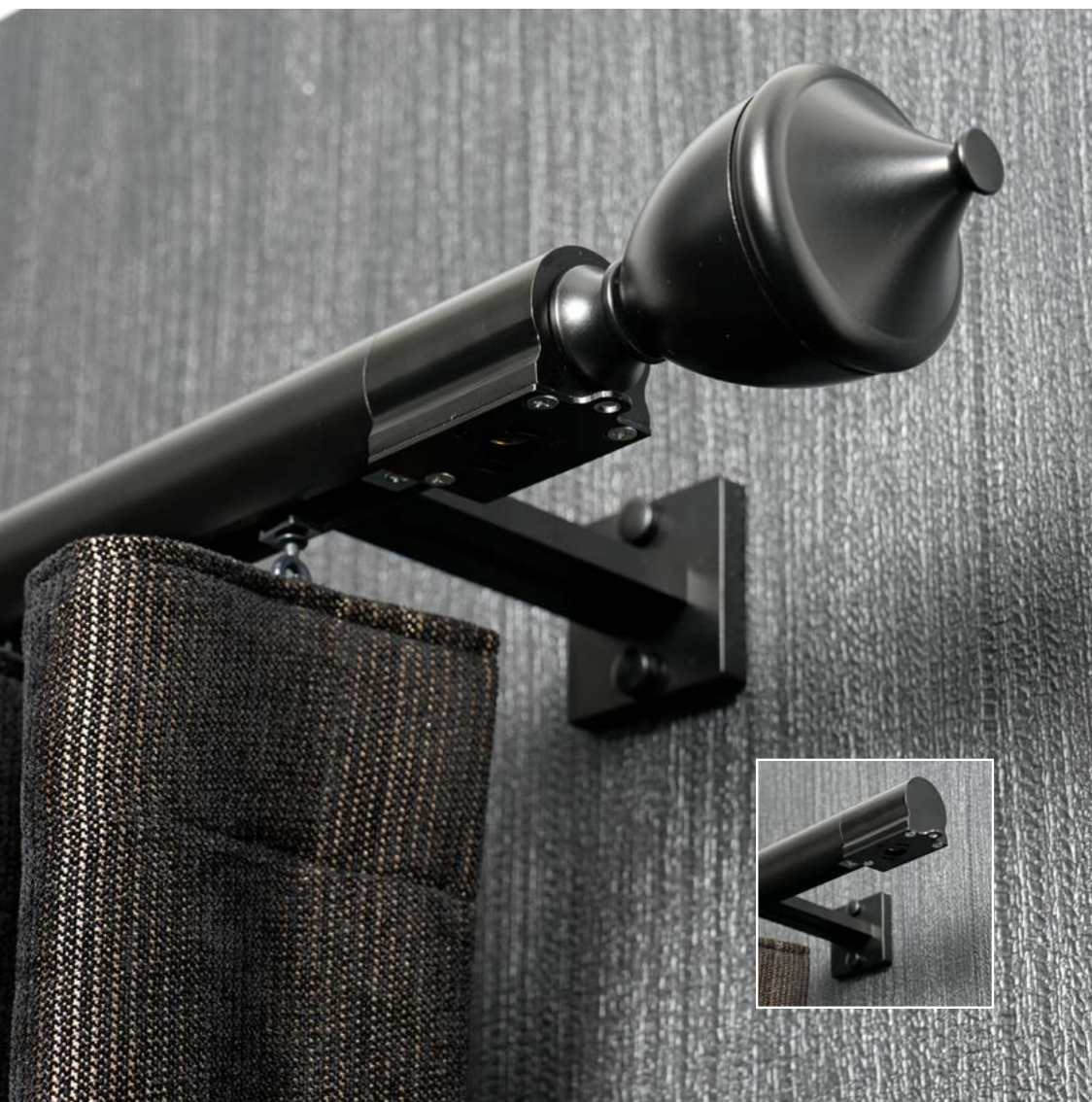
104



118



119



123



125



182



183

# AURELIA

## SFA.10011

Controlled movement with a clean, uninterrupted curtain line.  
Suitable for residential and hospitality spaces.  
Available in 8 color options.

Diameter: 40 Ø



Corded System



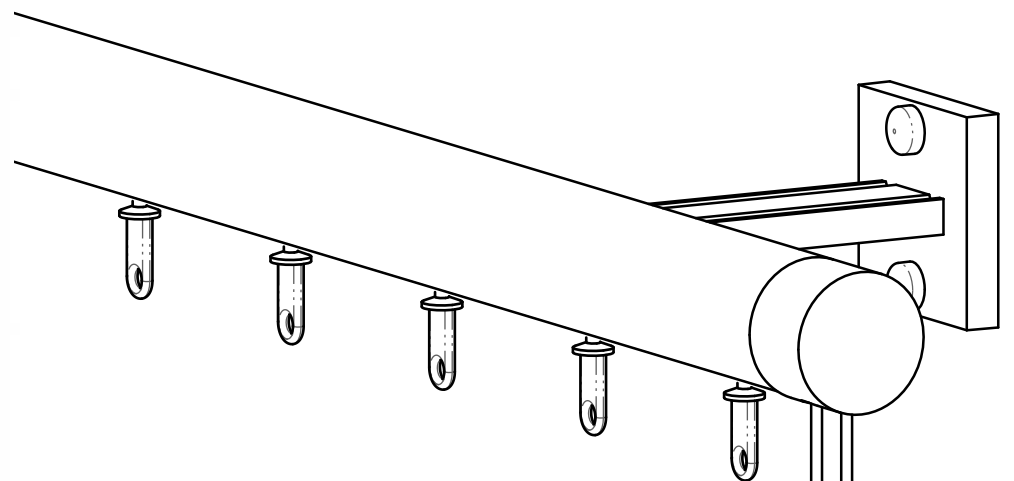
Smooth and Precise Manual Operation



Durable & Long-Lasting Mechanism



Energy-Free and Eco-Friendly Solution

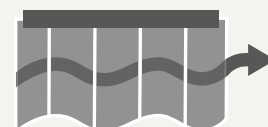


### Available in Single or Double Opening Options

i

Choose between one-way or center-draw movement for the perfect fit and visual balance in your space.

One-Way Draw



Center Draw



Discover

**Winart SFA.10011 up close!**

Scan the QR code to watch the product video.



## Colours



102



104



118



119



123



125



182



183



# AURELIA

## SFA.10012

Simple, reliable, and visually minimal. Ideal for smaller windows and understated spaces. Available in 8 color options.

Diameter: 40 Ø



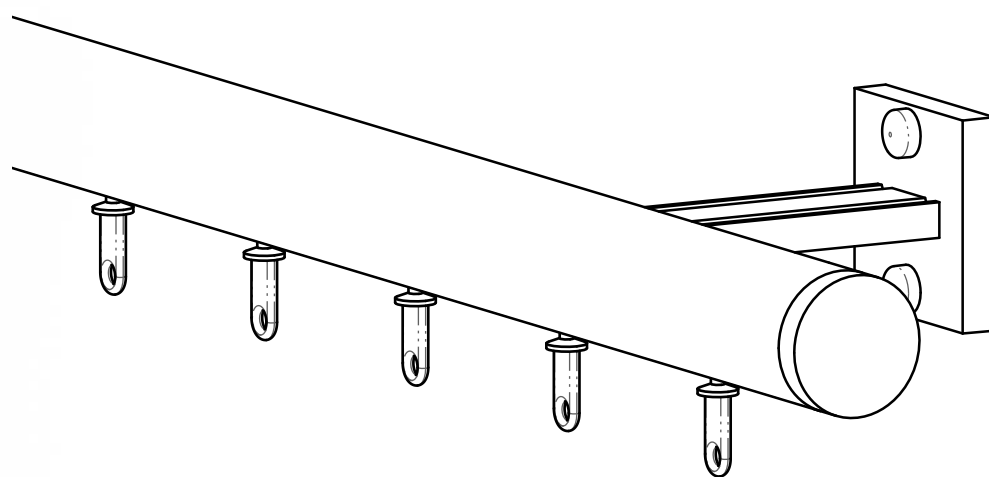
Smooth and Balanced Operation



Durable and Long-Lasting Structure



Modern and Elegant Design

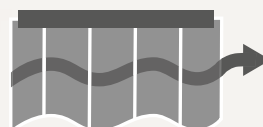


### Available in Single or Double Opening Options



Choose between one-way or center-draw movement for the perfect fit and visual balance in your space.

One-Way Draw



Center Draw



**Discover**

**Winart SFA.10012 up close!**

Scan the QR code to watch the product video.

# Colours



102



104



118



119



123



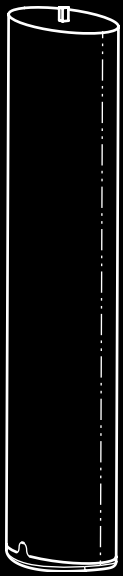
125



182



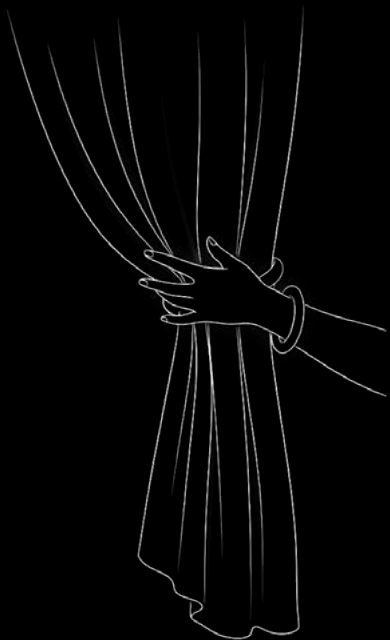
183



## Motorized Systems



## Corded Systems



## Manual Systems



# AURELIA

## Ring Series

AURELIA Ring features the same circular rod design as the AURELIA Collection, distinguished by its visible ring hanging system. The exposed rings bring a decorative rhythm to the curtain, allowing it to become a more expressive element within the space.

Designed for interiors that value character and detail, AURELIA Ring combines functional reliability with a visually engaging presentation. It offers a refined balance between classic curtain hanging traditions and contemporary design language.

*50 years*



## AURELIA

### SFA.10013

---

A decorative interpretation of motorized comfort, combining visible rings with smooth and silent movement. Ideal for design-led interiors. Available in 8 color options.



## AURELIA

### SFA.10014

---

Controlled operation paired with a classic ring system, offering a more expressive curtain presentation. Available in 8 color options.



## AURELIA

### SFA.10015

---

A timeless and straightforward solution with exposed rings, suitable for smaller windows and traditional-inspired spaces. Available in 8 color options.

# AURELIA

## SFA.10013

A decorative interpretation of motorized comfort, combining visible rings with smooth and silent movement. Ideal for design-led interiors. Available in 8 color options.

Diameter: 40 Ø



Remote Control



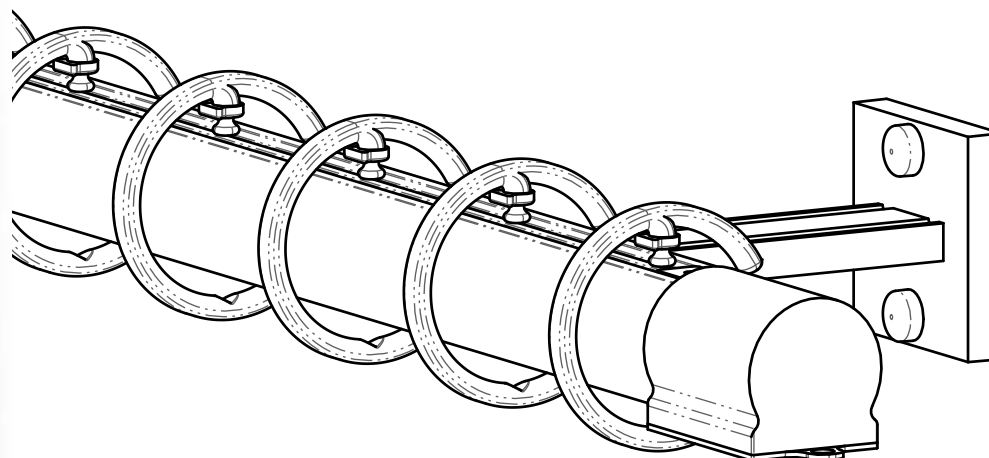
Silent Motor Technology



Modern and Elegant Design



Energy Efficiency



### Available in Single or Double Opening Options

Choose between one-way or center-draw movement for the perfect fit and visual balance in your space.

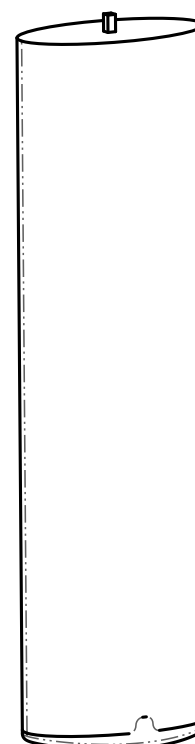
One-Way Draw



Center Draw



Motor Shaft



Discover

**Winart SFA.10013 up close!**

Scan the QR code to watch the product video.



# Colours



102



104



118



119



123



125



182



183

# AURELIA

## SFA.10014



Controlled operation paired with a classic ring system, offering a more expressive curtain presentation. Available in 8 color options.

Diameter: 40 Ø



Corded System



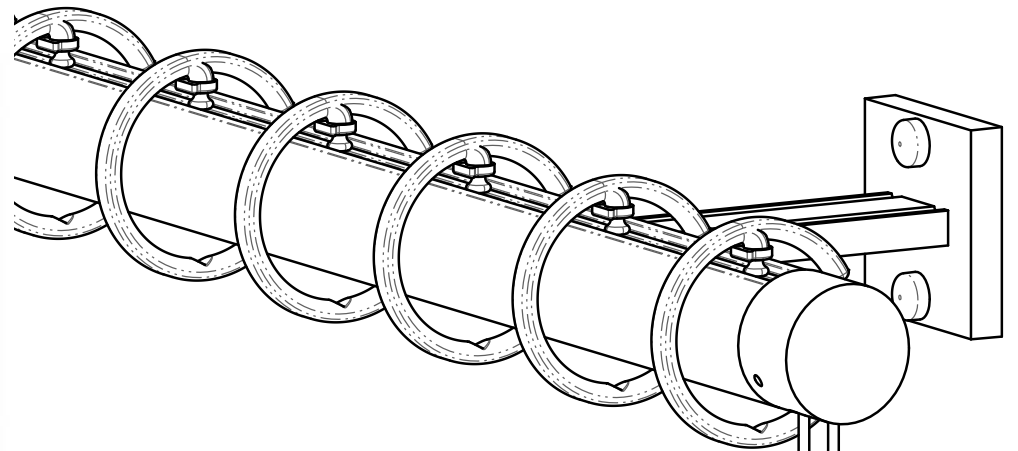
Smooth and Precise Manual Operation



Durable & Long-Lasting Mechanism



Energy-Free and Eco-Friendly Solution

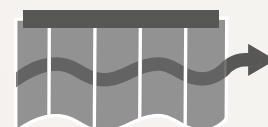


### Available in Single or Double Opening Options

i

Choose between one-way or center-draw movement for the perfect fit and visual balance in your space.

One-Way Draw



Center Draw



Discover

**Winart SFA.10014 up close!**

Scan the QR code to watch the product video.



## Colours



102



104



118



119



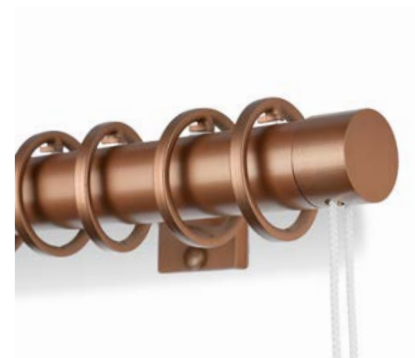
123



125



182



183



# AURELIA

## SFA.10015



A timeless and straightforward solution with exposed rings, suitable for smaller windows and traditional-inspired spaces. Available in 8 color options.

Diameter: 40 Ø



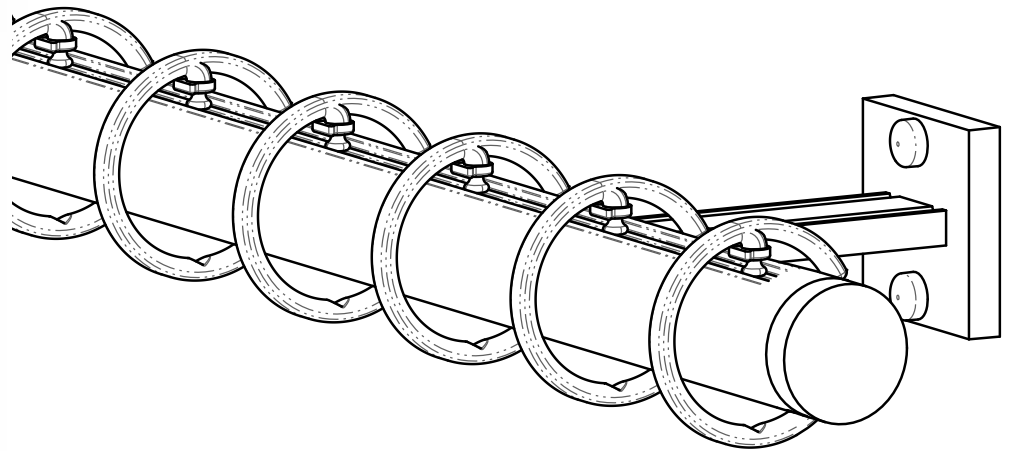
Smooth and Balanced Operation



Durable and Long-Lasting Structure



Modern and Elegant Design

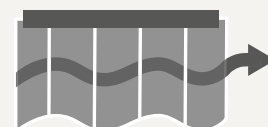


### Available in Single or Double Opening Options



Choose between one-way or center-draw movement for the perfect fit and visual balance in your space.

One-Way Draw



Center Draw



Discover

**Winart SFA.10015 up close!**

Scan the QR code to watch the product video.



# Colours



102



104



118



119



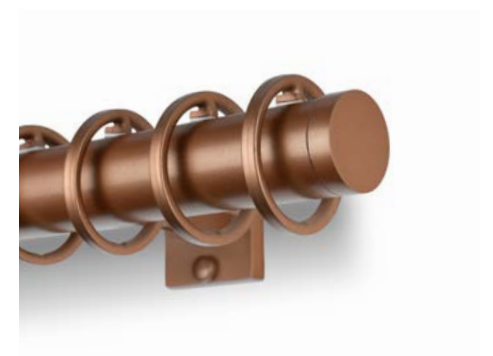
123



125

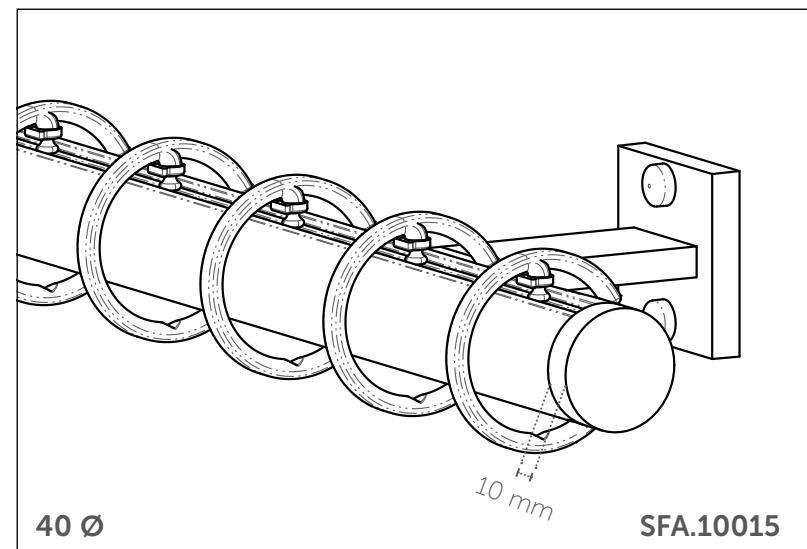
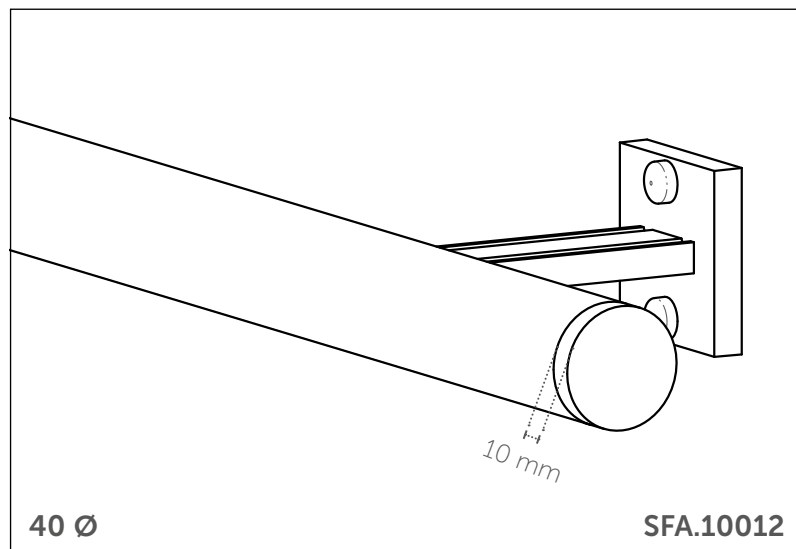
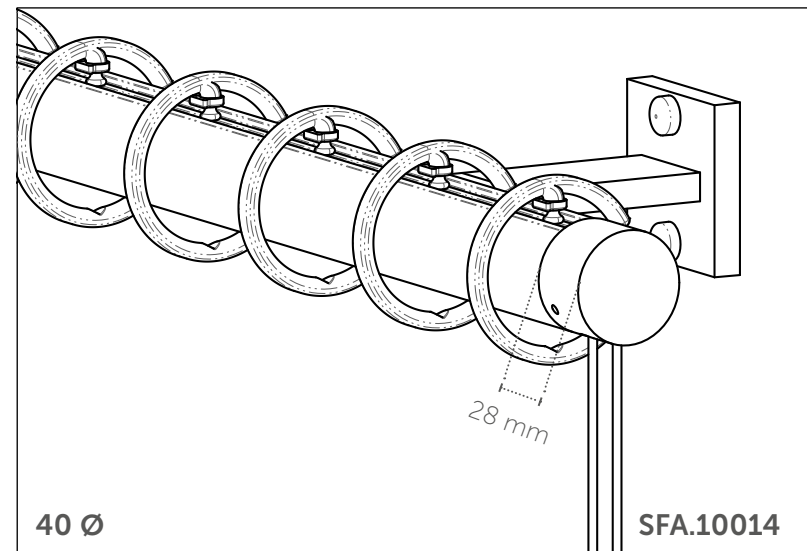
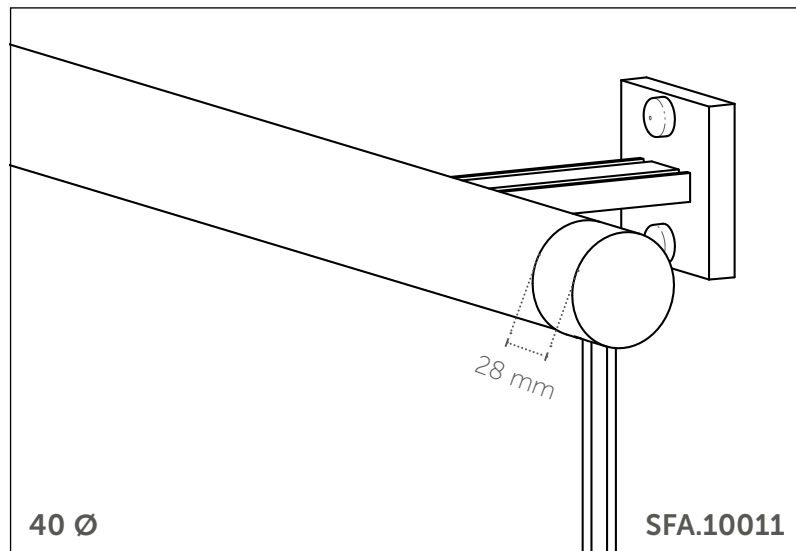
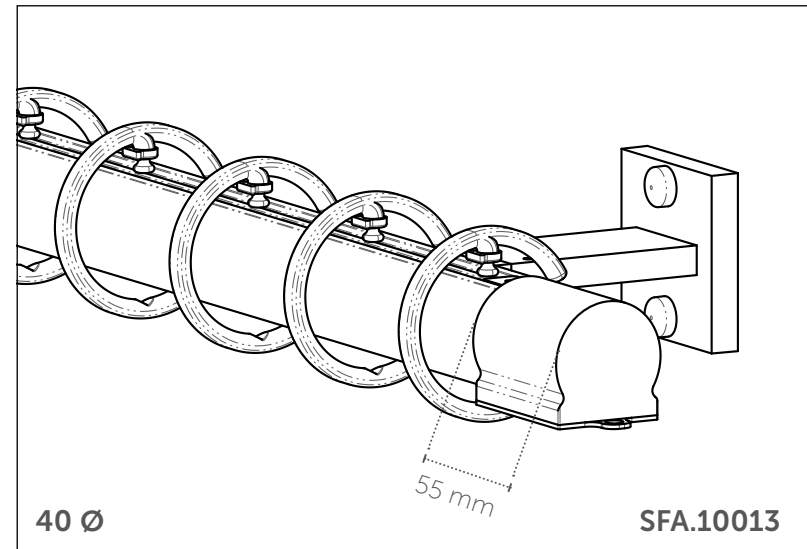
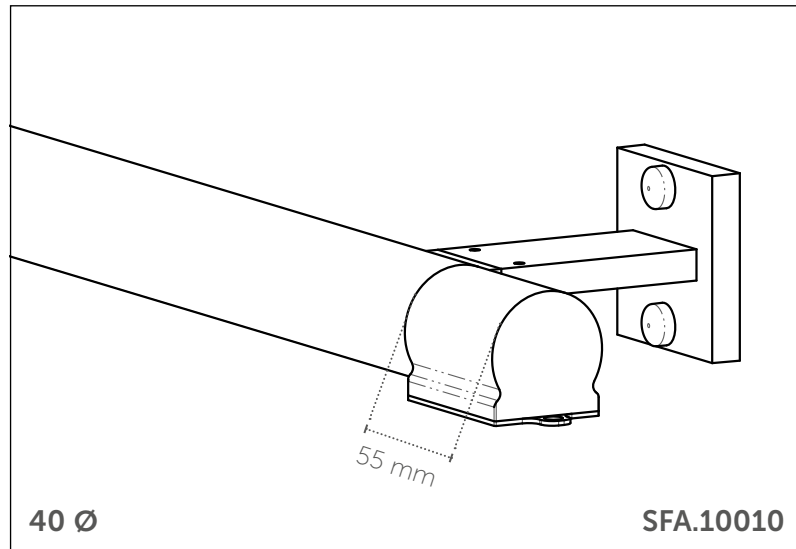


182

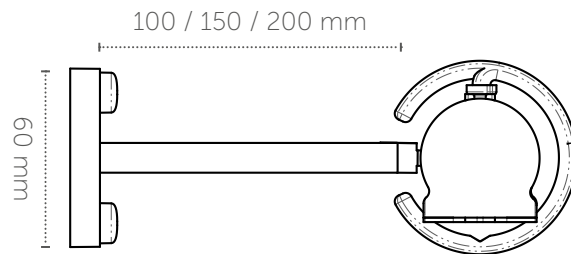
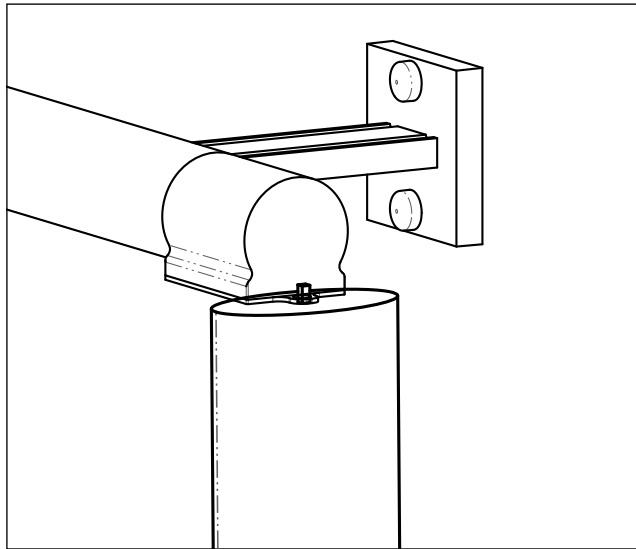


183

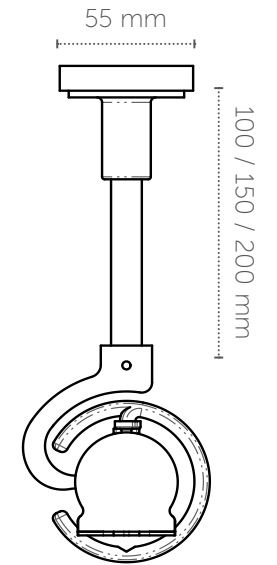
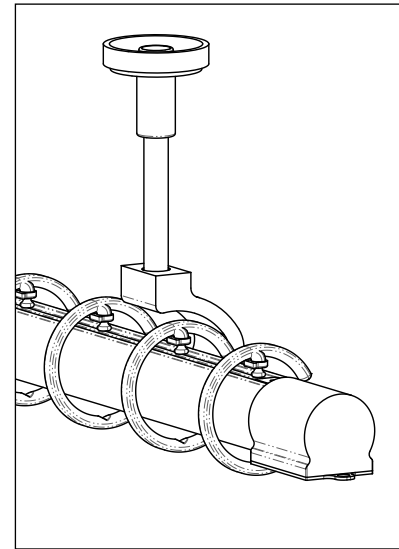
# Technical Details



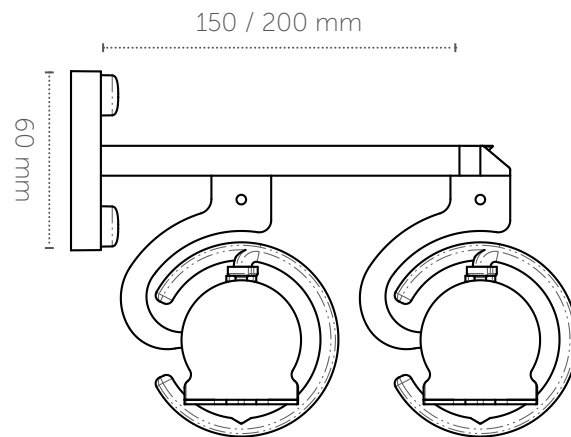
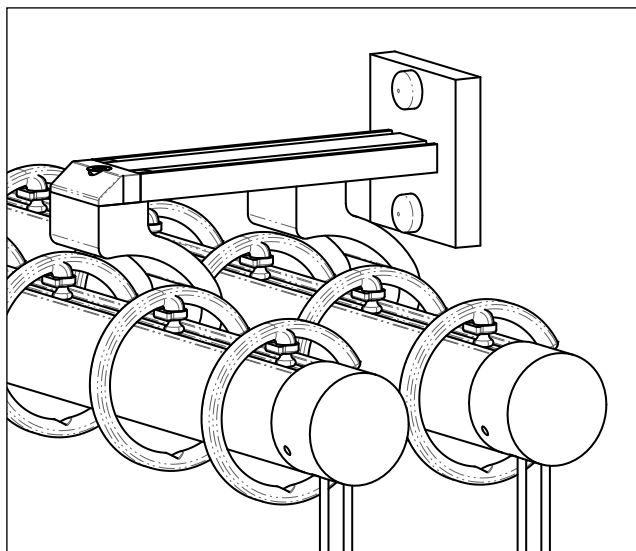
# Technical Details



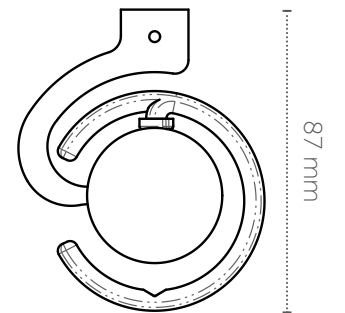
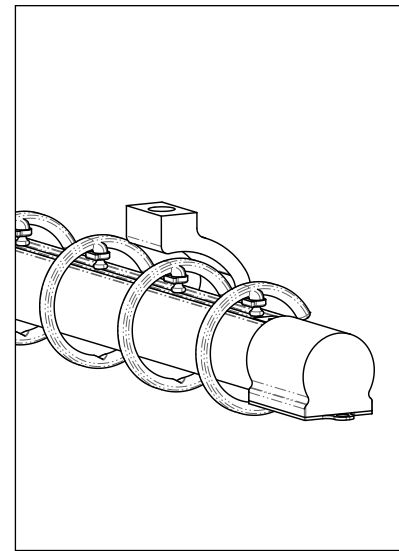
**20032**



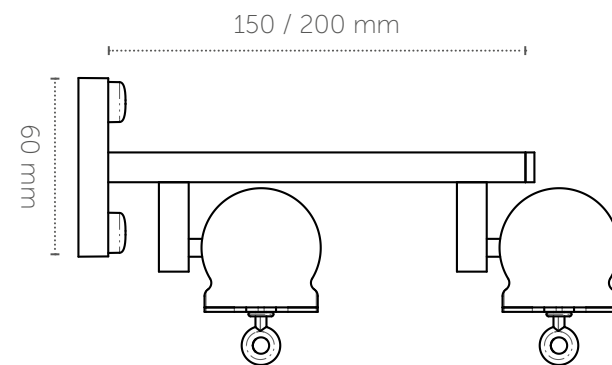
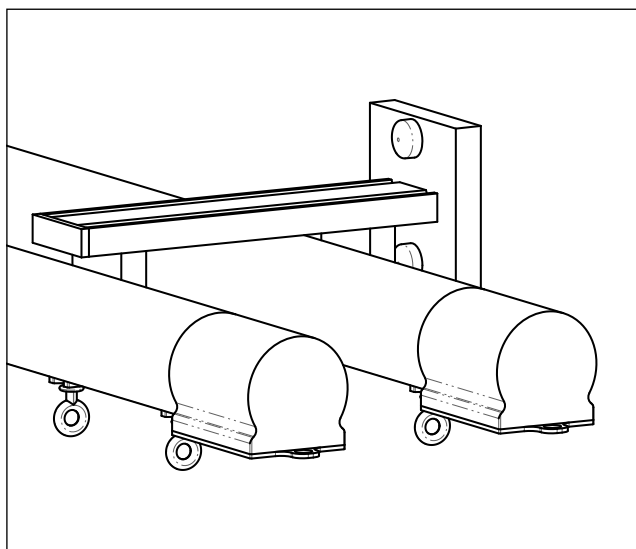
**20033**



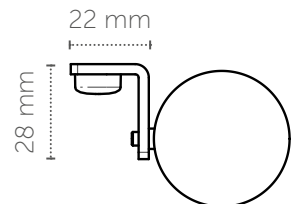
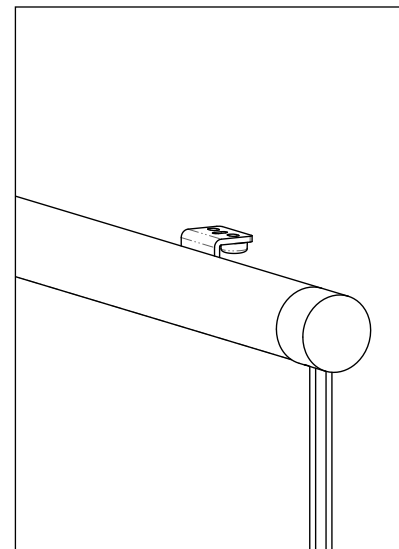
**20034**



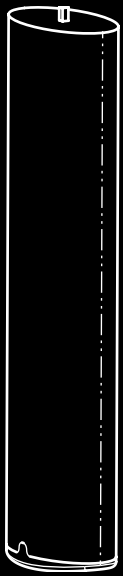
**20035**



**20038**



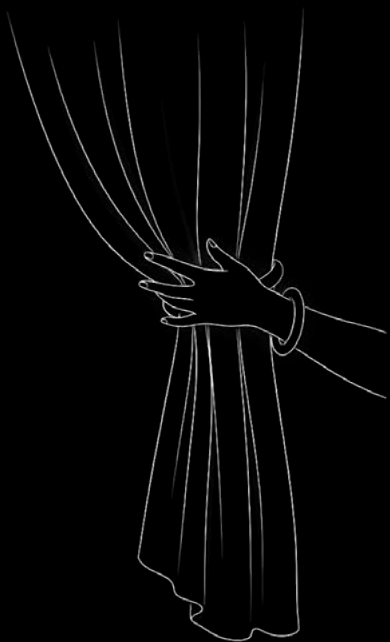
**20036**



## Motorized Systems



## Corded Systems



## Manual Systems

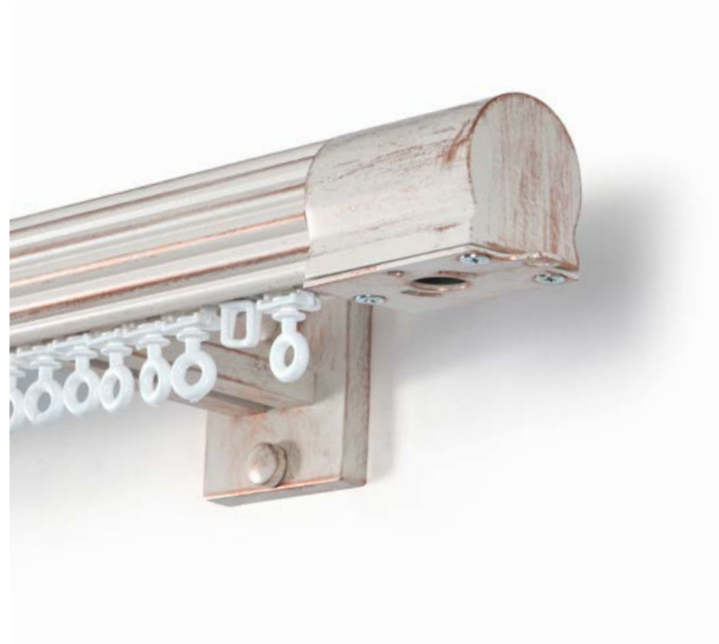


# PALAS Glider Series

PALAS Glider Series reflect a timeless approach to metal craftsmanship, where refined surfaces and precise detailing take the lead. Its cylindrical rod design, paired with a concealed glide system, allows the richness of the material and finish to stand out while maintaining a clean and uninterrupted curtain line.

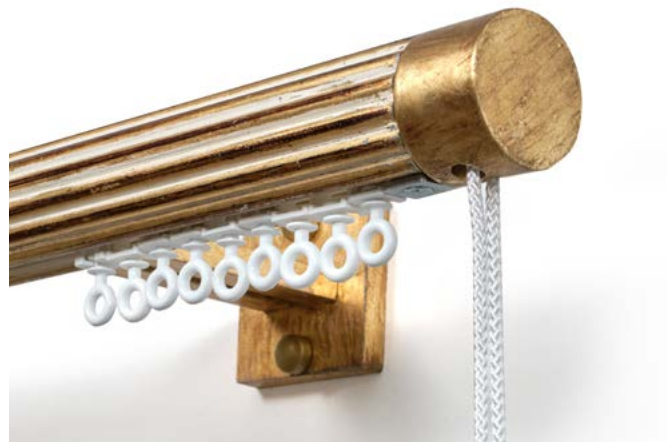
Designed for interiors that value elegance over excess, PALAS Glide offers a discreet yet sophisticated presence. The hidden hanging system enhances the purity of the form, making it ideal for classic and contemporary spaces where craftsmanship, balance and longevity are essential.

*50 years*



## PALAS **SFA.10016**

A refined motorized solution that preserves the elegance of traditional metal finishes. Smooth and silent movement for timeless interiors. Available in 10 color options.



## PALAS **SFA.10017**

Precise control with a clean, uninterrupted curtain line. Designed for understated luxury and reliability. Available in 10 color options.



## PALAS **SFA.10018**

A classic and durable solution highlighting material quality and craftsmanship. Available in 10 color options.





10001  
85x125 mm



10002  
65x115 mm



10004  
90x130 mm



10005  
65x95 mm



10006  
63x120 mm



10007  
65x115 mm



10008  
65x125 mm



10010  
65x110 mm



10011  
60x165 mm



10055  
85x120 mm



10059  
75x130 mm



10060  
65x115 mm



10080  
100x130 mm



10082  
100x140 mm



Colour 106



Colour 128



Colour 109



Colour 110



Colour 107



Colour 129



Colour 131



Colour 108



Colour 111



Colour 113

# Finals & Accessories

---



50001



90001



50002



90002



50004



90004



50005



90005



50006



90006



50007



90007



50008



90008



Colour 106



Colour 128



Colour 109



Colour 110



Colour 107



Colour 129



Colour 131



Colour 108



Colour 111



Colour 113

# Finals & Accessories

---



50010



90010



50011



90011



50059



90059



50055



90055



50060



90060



50080



90080



50082



90082



Colour 106



Colour 128



Colour 109



Colour 110



Colour 107



Colour 129



Colour 131



Colour 108



Colour 111



Colour 113

# Finals & Accessories



85001



80001



85002



80002



85004



80004



85005



80005



85006



80006



85007



80007



301



302



303



304



305



306



307



308



309



310



311



312



313



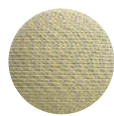
314



315



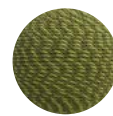
316



317



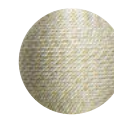
318



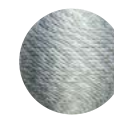
319



320



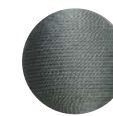
321



322



323



324

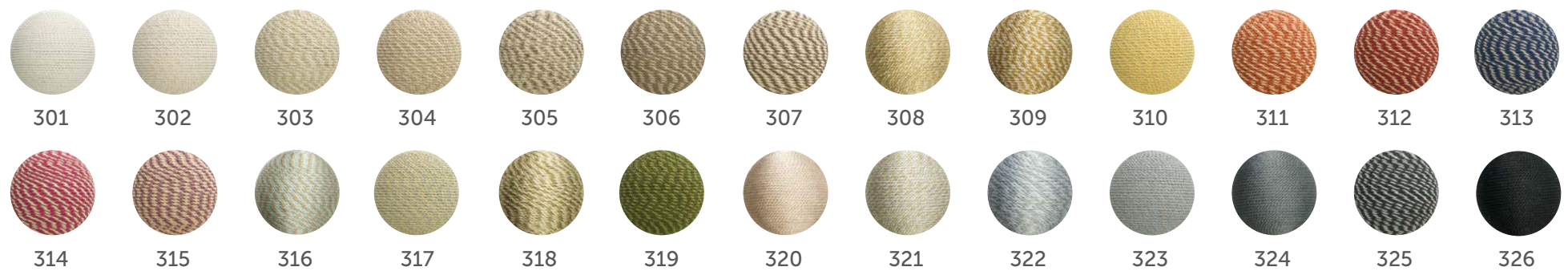


325



326

# Finals & Accessories



# PALAS

## SFA.10016

A refined motorized solution that preserves the elegance of traditional metal finishes. Smooth and silent movement for timeless interiors. Available in 10 color options.

Diameter: 40 Ø



Remote Control



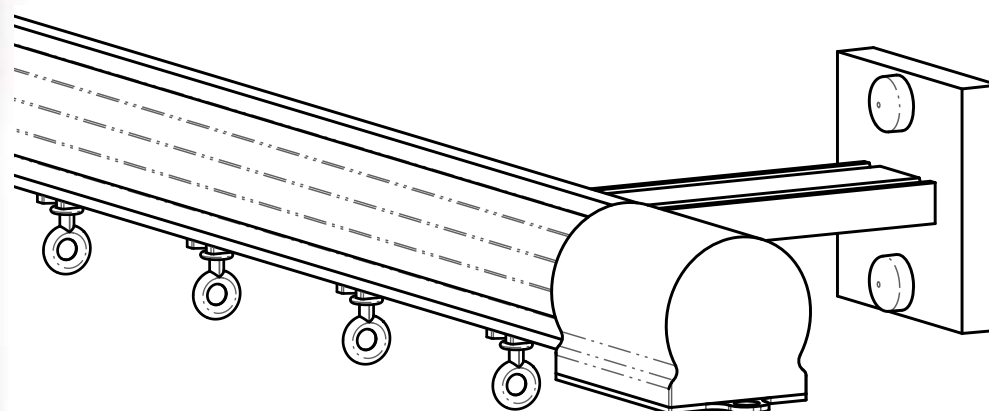
Silent Motor Technology



Modern and Elegant Design



Energy Efficiency

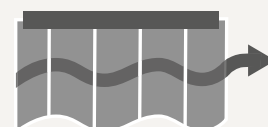


### Available in Single or Double Opening Options



Choose between one-way or center-draw movement for the perfect fit and visual balance in your space.

One-Way Draw



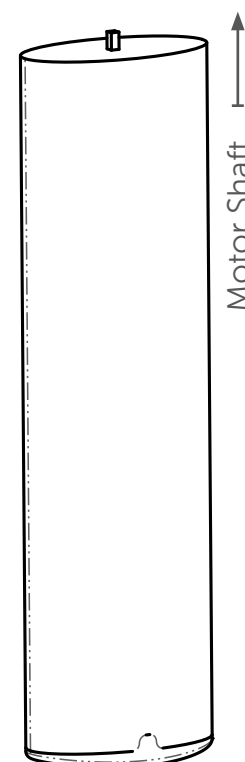
Center Draw



Discover

**Winart SFA.10016 up close!**

Scan the QR code to watch the product video.





# Colours



106



128



109



110



107



129



131



108



111



113

# PALAS

## SFA.10017

Precise control with a clean, uninterrupted curtain line. Designed for understated luxury and reliability. Available in 10 color options.

Diameter: 40 Ø



Corded System



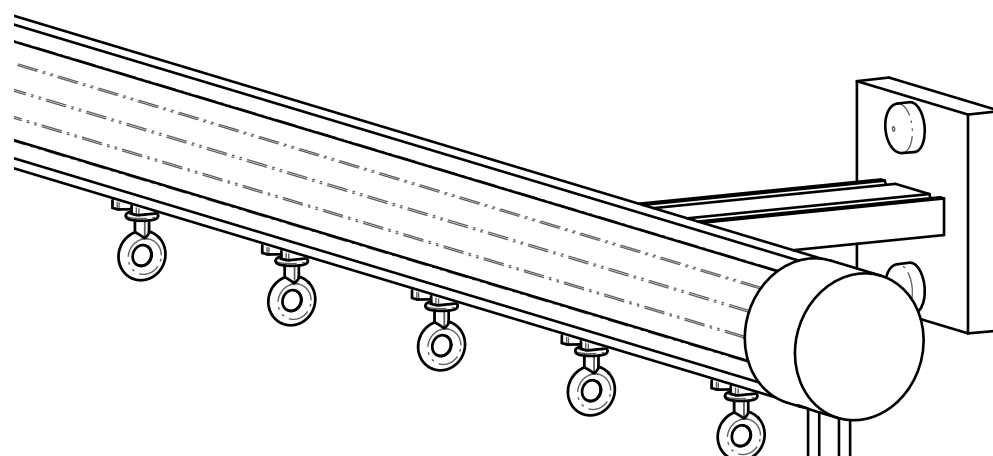
Smooth and Precise Manual Operation



Durable & Long-Lasting Mechanism



Energy-Free and Eco-Friendly Solution

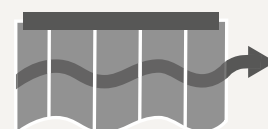


### Available in Single or Double Opening Options



Choose between one-way or center-draw movement for the perfect fit and visual balance in your space.

One-Way Draw



Center Draw



Discover

**Winart SFA.10017 up close!**

Scan the QR code to watch the product video.



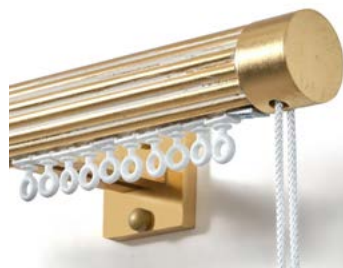
## Colours



106



128



109



110



107



129



131



108



111



113

# PALAS

## SFA.10018

A classic and durable solution highlighting material quality and craftsmanship. Available in 10 color options.

Diameter: 40 Ø



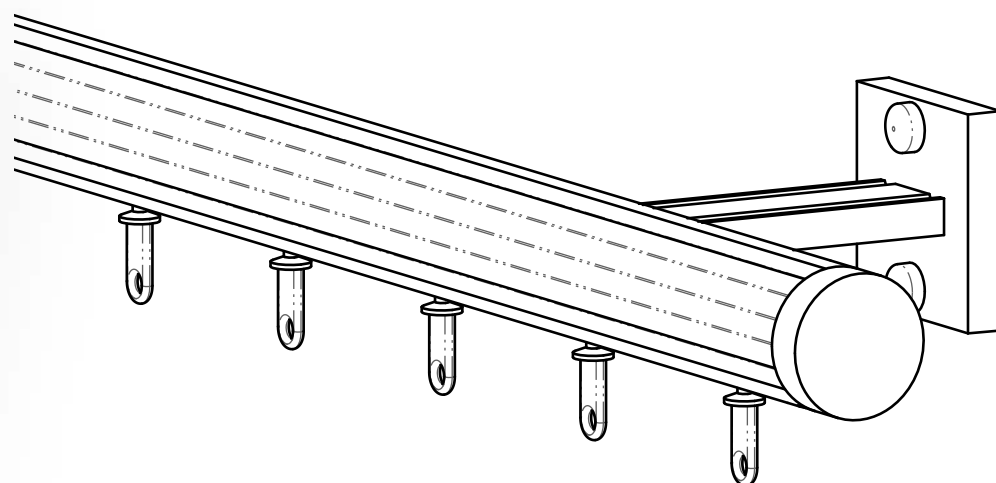
Smooth and Balanced Operation



Durable and Long-Lasting Structure



Modern and Elegant Design



### Available in Single or Double Opening Options

i

Choose between one-way or center-draw movement for the perfect fit and visual balance in your space.

One-Way Draw



Center Draw



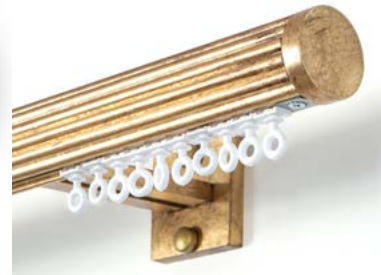
**Discover**  
**Winart SFA.10018 up close!**  
Scan the QR code to watch the product video.



# Colours



106



128



109



110



107



129



131



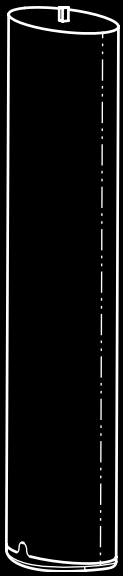
108



111



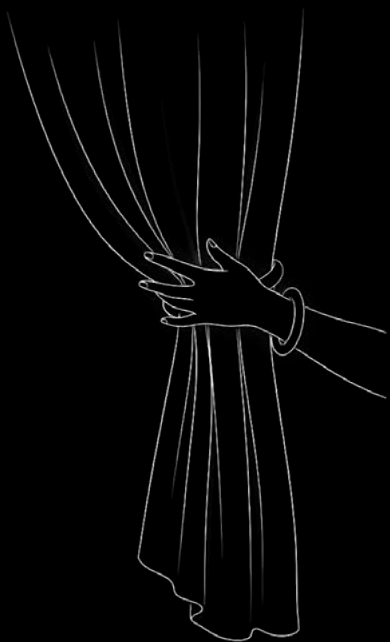
113



## Motorized Systems



## Corded Systems



## Manual Systems



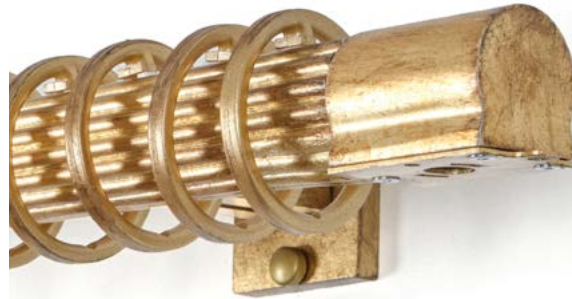
# PALAS

## Ring Series

PALAS Ring Series celebrate the decorative character of classic curtain hanging through a visible ring system that highlights metal craftsmanship. The exposed rings introduce rhythm and depth, allowing the curtain rod to become a defining decorative element.

Preserving the same cylindrical rod design, PALAS Ring offers a richer visual expression. It is created for interiors that appreciate traditional elegance, tactile materials, and finely finished metal surfaces.

*50 years*



## PALAS

### SFA.10019

A decorative interpretation of motorized comfort with visible metal rings and silent movement. Available in 10 color options.



## PALAS

### SFA.10020

Classic ring hanging paired with controlled operation for expressive interiors. Available in 10 color options.



## PALAS

### SFA.10021

A timeless ring system emphasizing craftsmanship and material presence. Available in 10 color options.

# PALAS

## SFA.10019

A decorative interpretation of motorized comfort with visible metal rings and silent movement. Available in 10 color options.

Diameter: 40 Ø



Remote Control



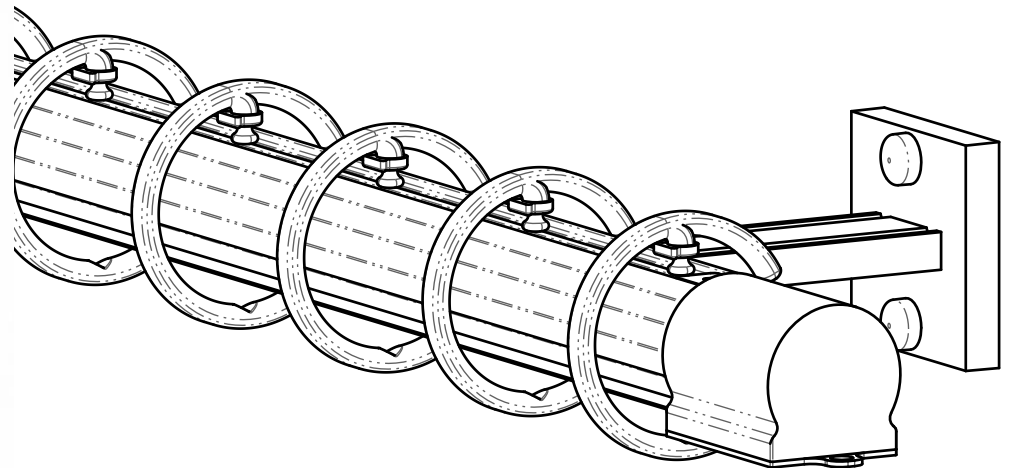
Silent Motor Technology



Modern and Elegant Design



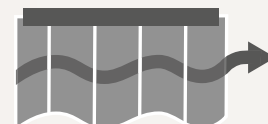
Energy Efficiency



### Available in Single or Double Opening Options

Choose between one-way or center-draw movement for the perfect fit and visual balance in your space.

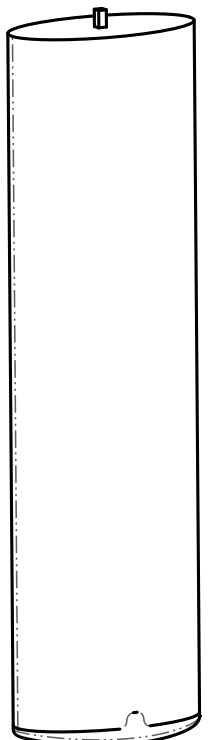
One-Way Draw



Center Draw



Motor Shaft



Discover

**Winart SFA.10019 up close!**

Scan the QR code to watch the product video.



# Colours



106



128



109



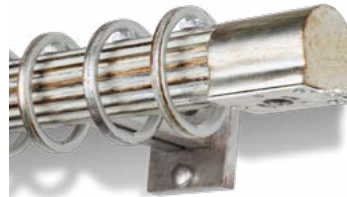
110



107



129



131



108



111



113

# PALAS

## SFA.10020

Classic ring hanging paired with controlled operation for expressive interiors. Available in 10 color options.

Diameter: 40 Ø



Corded System



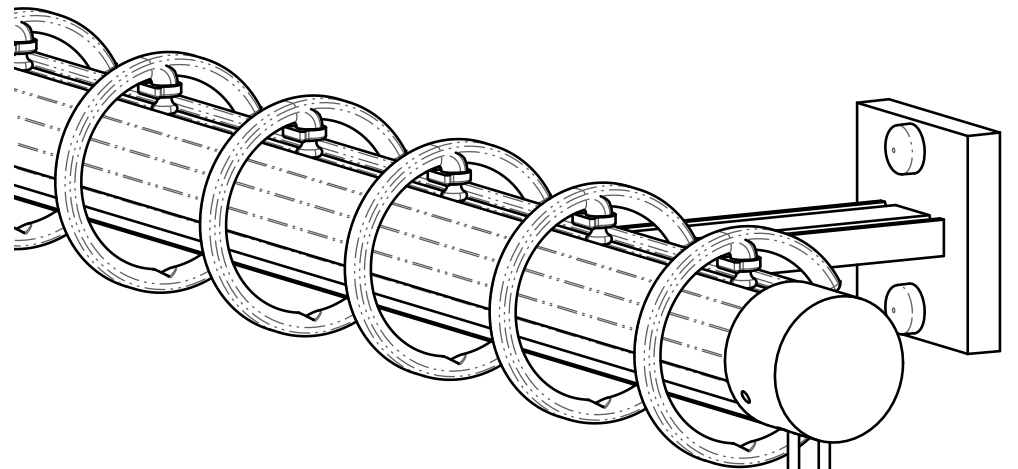
Smooth and Precise Manual Operation



Durable & Long-Lasting Mechanism



Energy-Free and Eco-Friendly Solution

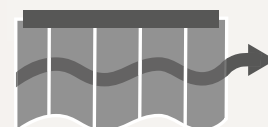


### Available in Single or Double Opening Options



Choose between one-way or center-draw movement for the perfect fit and visual balance in your space.

One-Way Draw



Center Draw



**Discover**

**Winart SFA.10020 up close!**

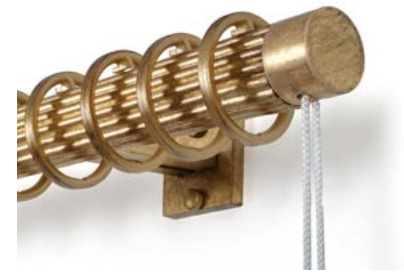
Scan the QR code to watch the product video.



## Colours



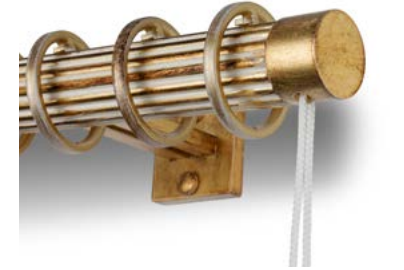
106



128



109



110



107



129



131



108



111



113

# PALAS

## SFA.10021



A timeless ring system emphasizing craftsmanship and material presence. Available in 10 color options.

Diameter: 40 Ø



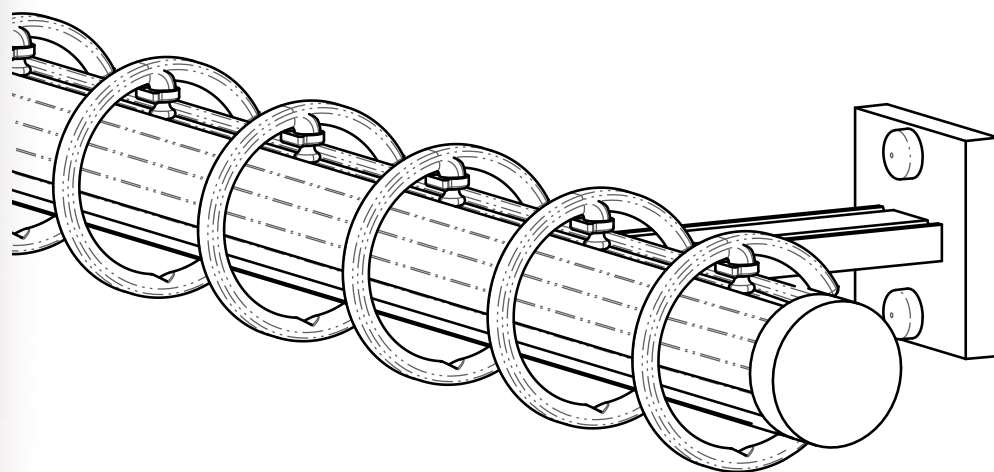
Smooth and Balanced Operation



Durable and Long-Lasting Structure



Modern and Elegant Design



### Available in Single or Double Opening Options



Choose between one-way or center-draw movement for the perfect fit and visual balance in your space.

One-Way Draw



Center Draw



**Discover**

**Winart SFA.10021 up close!**

Scan the QR code to watch the product video.



# Colours



106



128



109



110



107



129



131



108

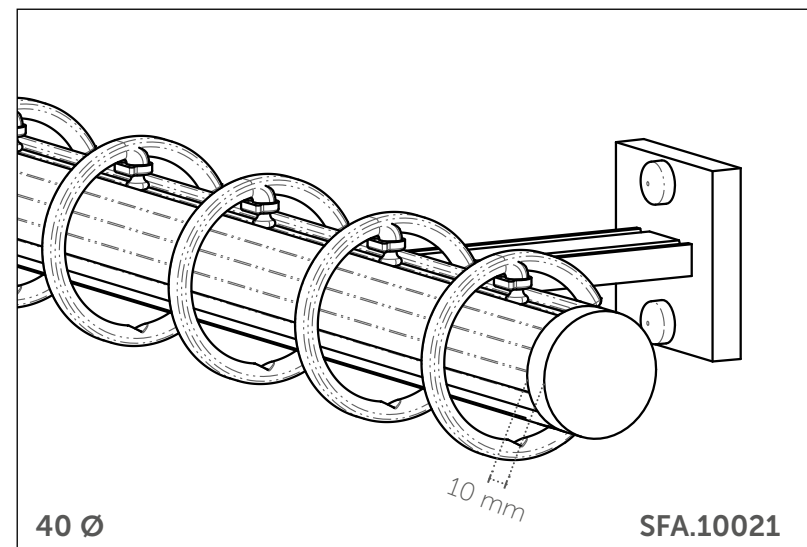
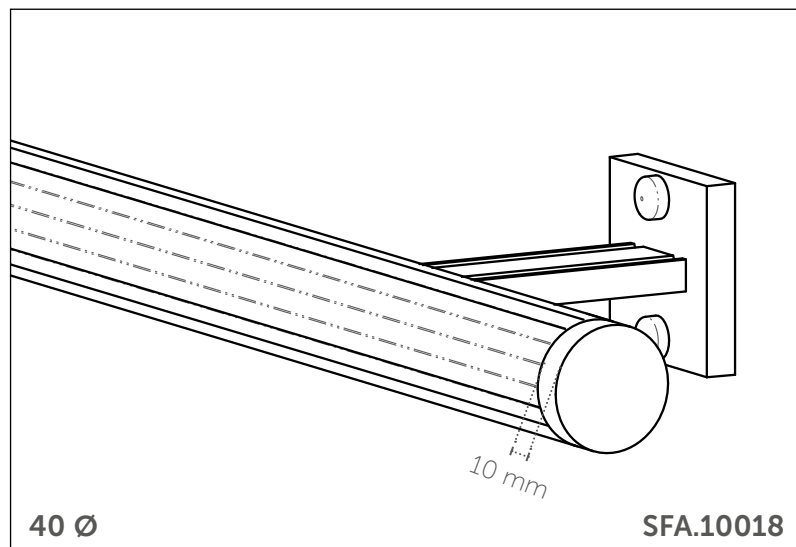
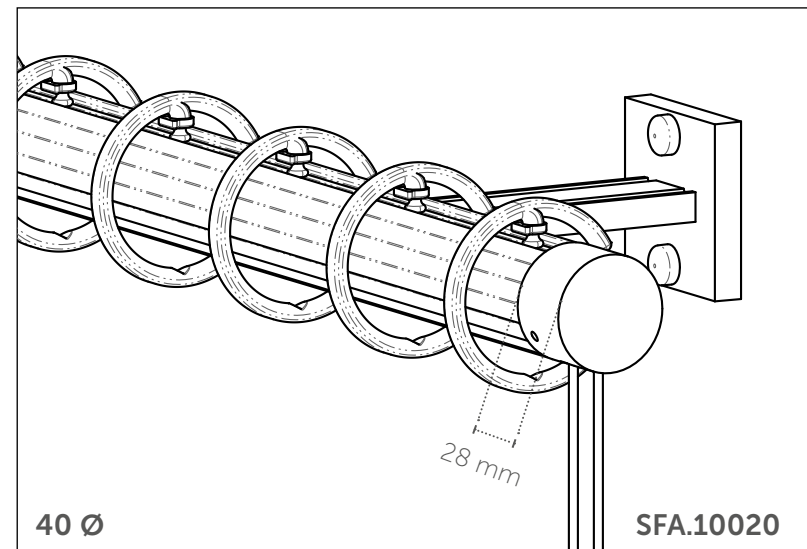
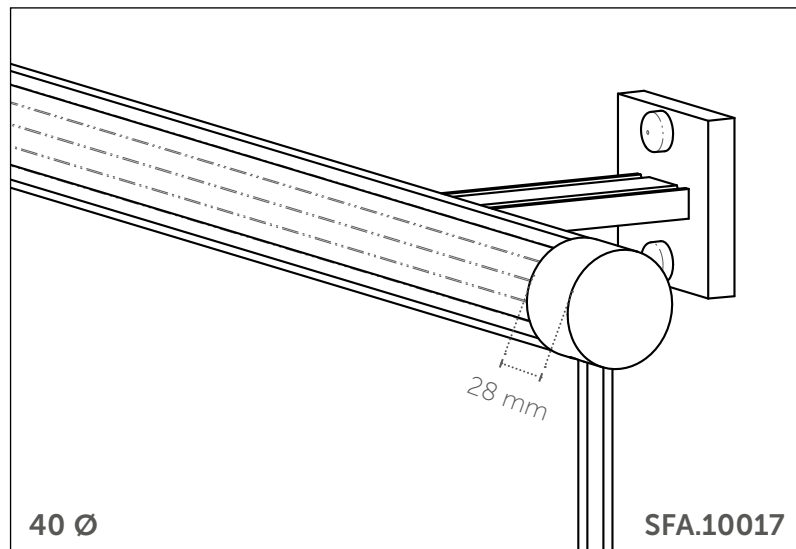
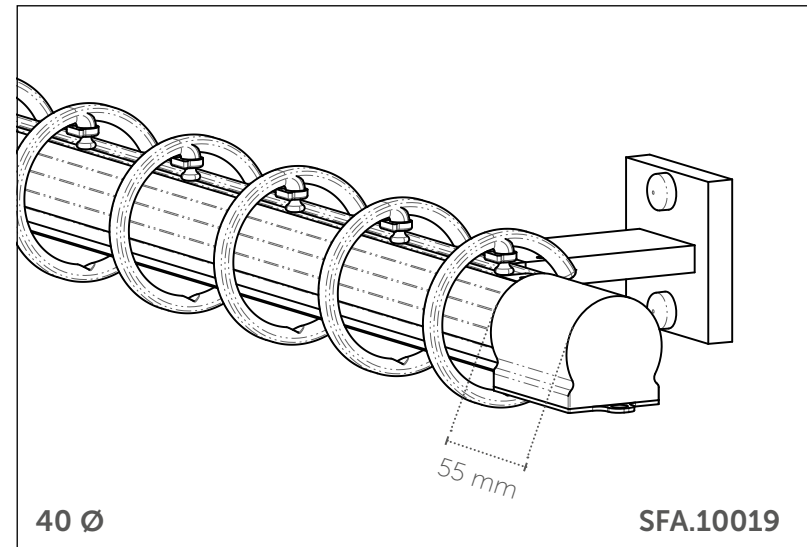
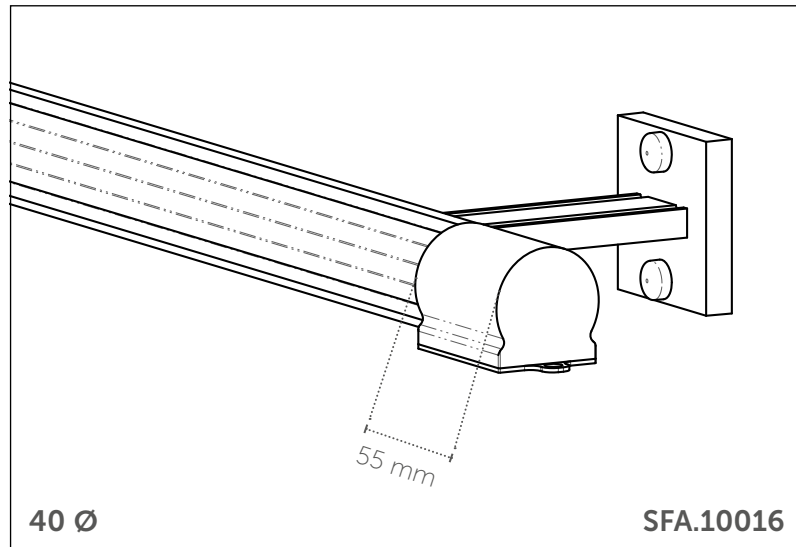


111

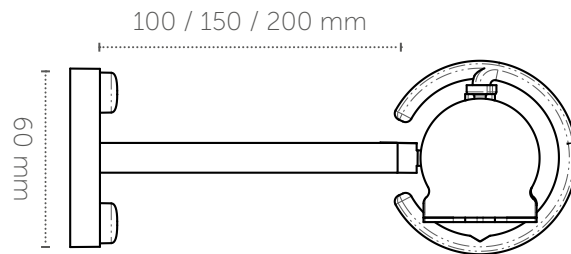
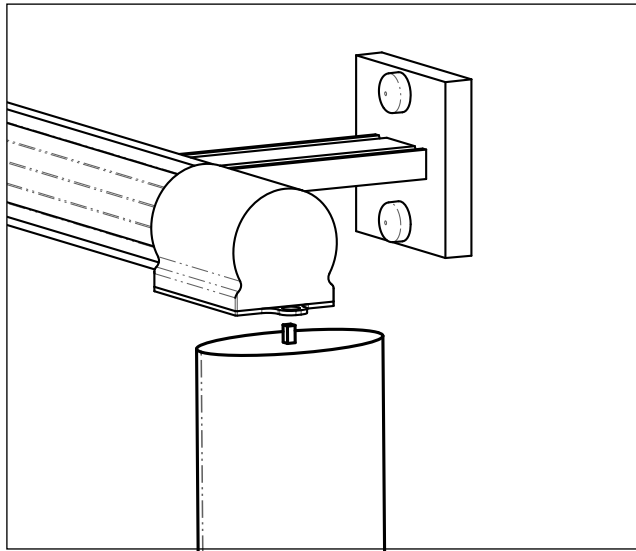


113

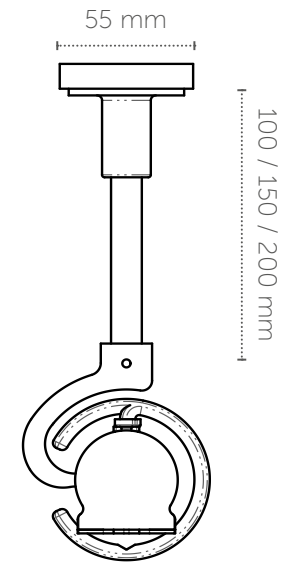
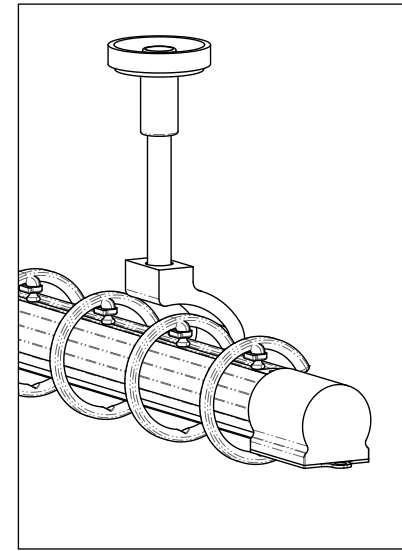
# Technical Details



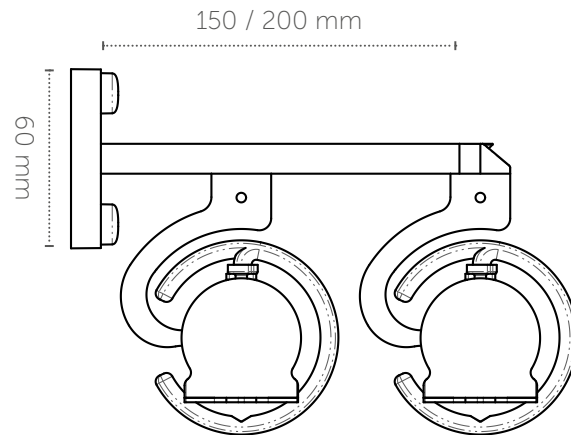
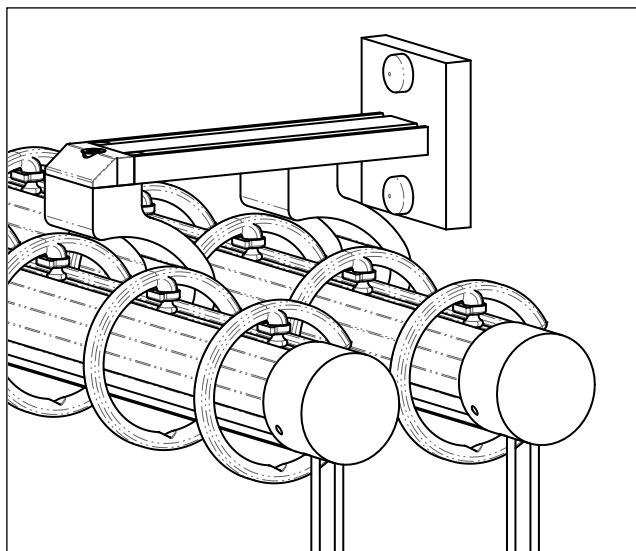
# Technical Details



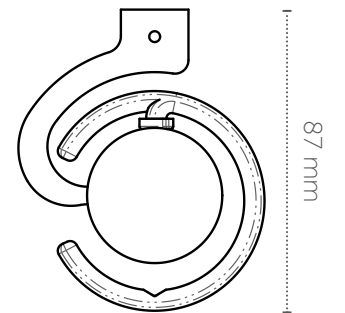
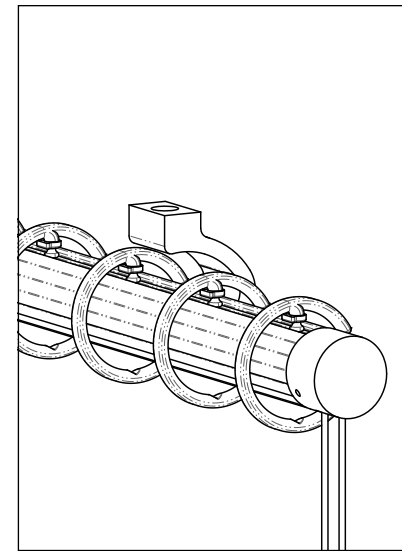
**20032**



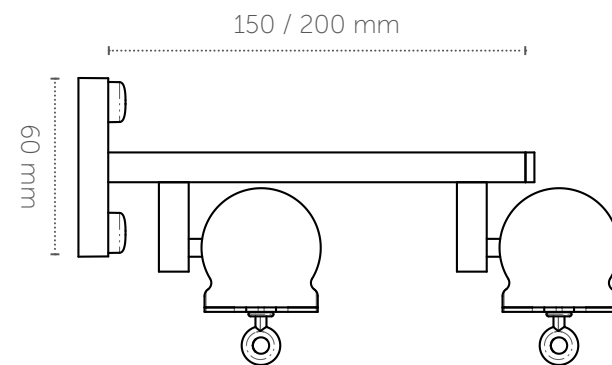
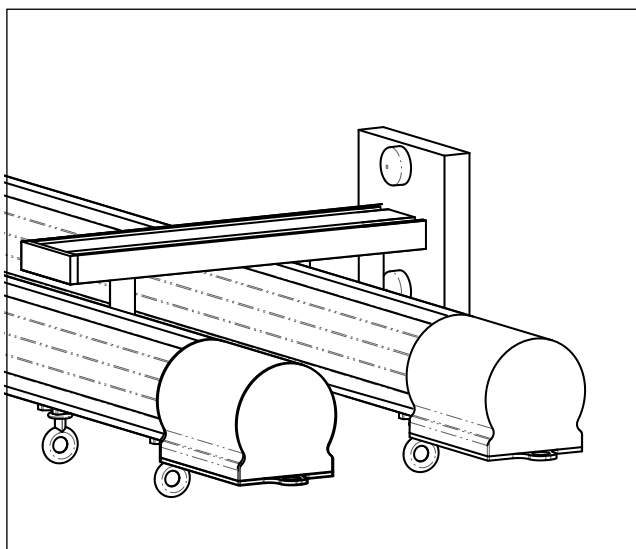
**20033**



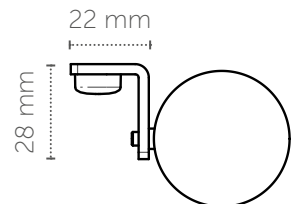
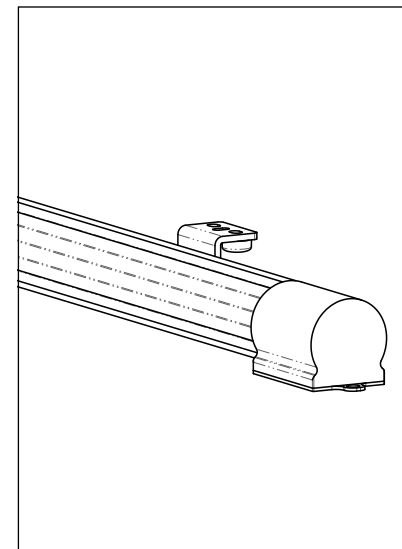
**20034**



**20035**



**20038**



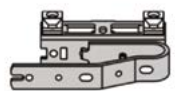
**20036**

# 30024 Motorized Track Systems

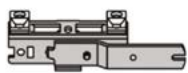


30024  
78

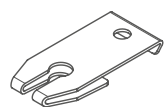
# 30023 Corded Track Systems



40005

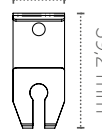


40006



20029

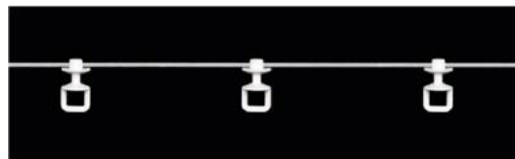
17,4 mm



39,2 mm

30023  
Colour White

40010



White  
Black  
Grey

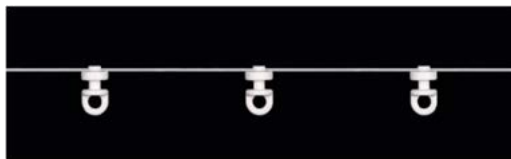
40008



White  
Black  
Grey

Fullness	Distance Between Pleats	Repeated
200/250/280 %	6cm	12/15/17cm

40011



White  
Black  
Grey

40008



White  
Black  
Grey

Fullness	Distance Between Pleats	Repeated
200/250/280 %	6cm	12/15/17cm

40014



40016



White

40007



40008



White

40009

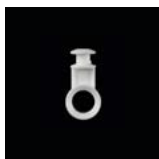


40012



White

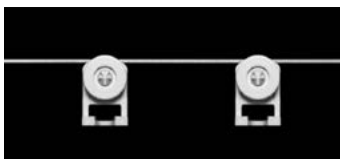
40015



White

Fullness	Distance Between Pleats	Repeated
200/250/280 %	6cm	12/15/17cm

40013



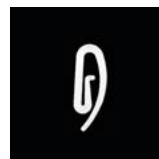
White / Black / Grey

40016



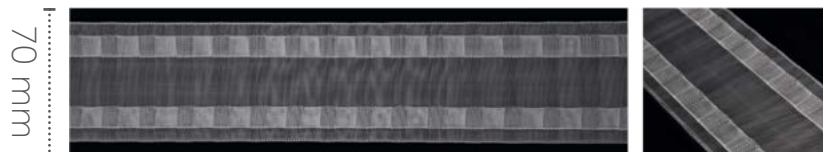
White / Black / Grey

40008

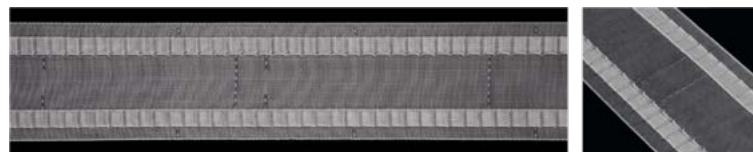


Fullness	Distance Between Pleats	Repeated
200/250/280 %	6cm	12/15/17cm

40018



40019



40017

25mm / 10,8cm



6 cm	A=12cm	B=15cm	C=17 cm
	200%	250%	280%

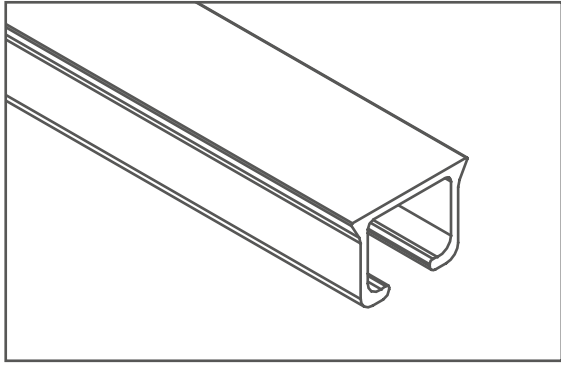
70028



70029

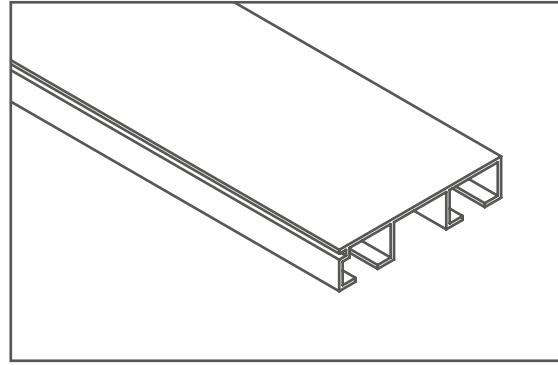
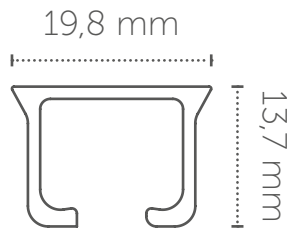


1500 mm



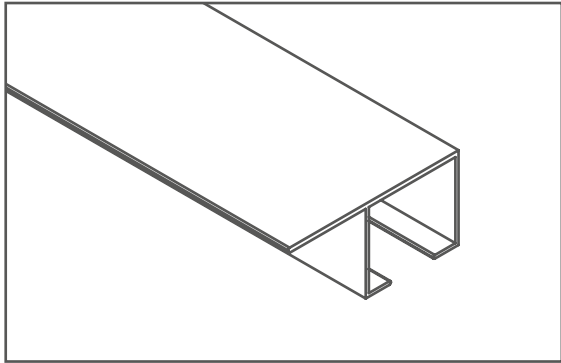
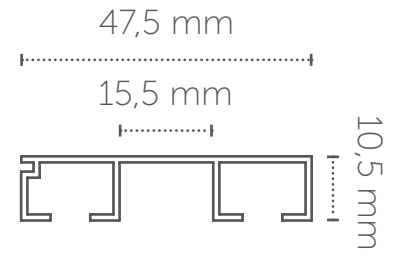
30016

Colour White



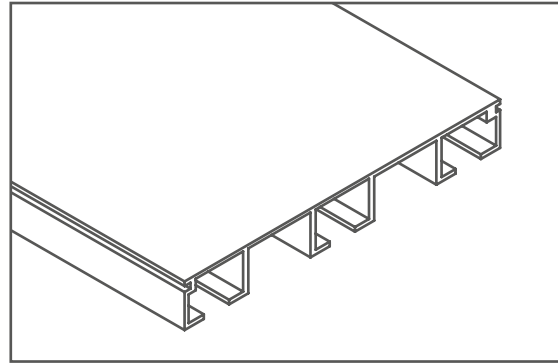
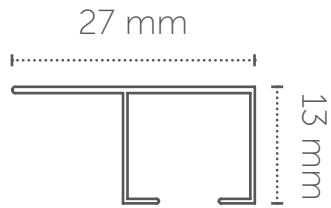
30019

Colour White



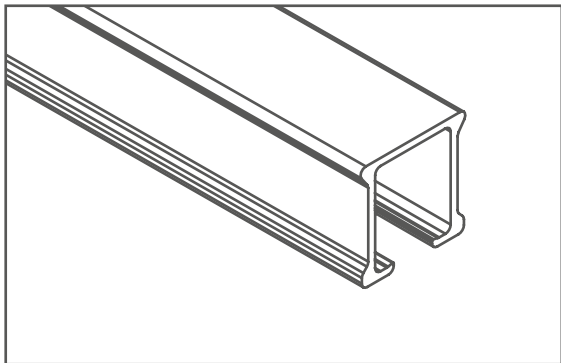
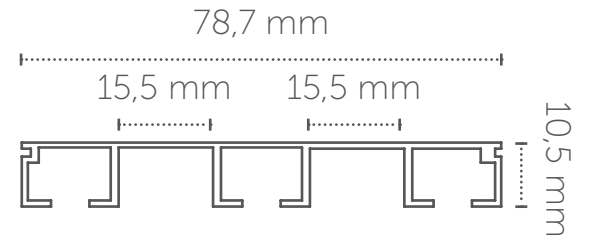
30017

Colour White



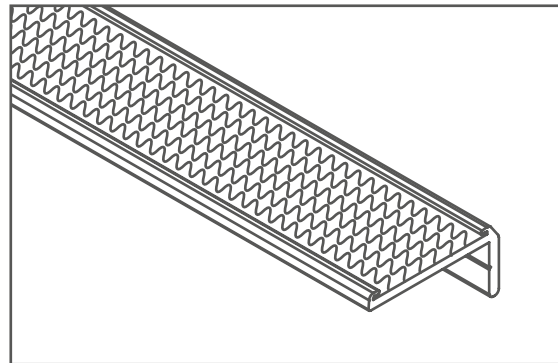
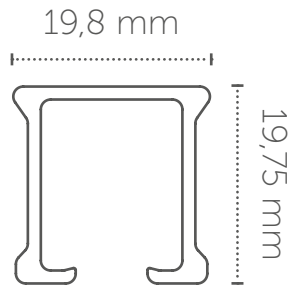
30020

Colour White



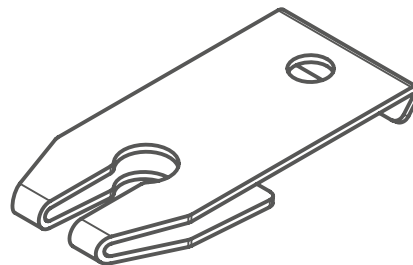
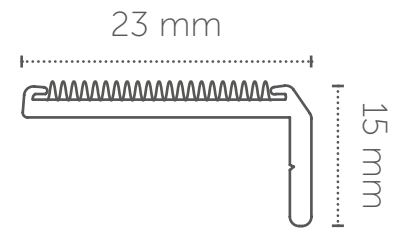
30018

Colour White

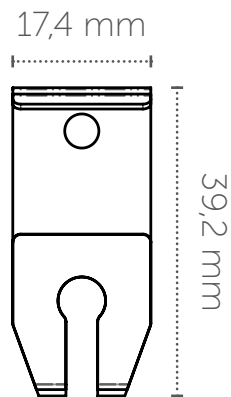


30021

Colour White



20029







**WINART**<sup>®</sup>  
since 1976

*50 years*

[winart.com](http://winart.com)